

TERAL

NSVM

**VERTICAL
MULTISTAGE
PUMPS**

SERIES **60Hz**




C US
Drinking Water
NSF/ANSI 61
NSF/ANSI 372

IRRIGATION & AGRICULTURE

- Greenhouses
- Sprinkler irrigation
- Field irrigation (flooding)

HEATING, VENTILATION & AIR CONDITIONING

- Buildings, hotels, residential complexes
- Stations & supply of water networks
- Industrial water supply

LIGHT INDUSTRY

- Boilers
- Induction heating
- Heat exchangers
- Cooling towers & systems
- Temperature control systems

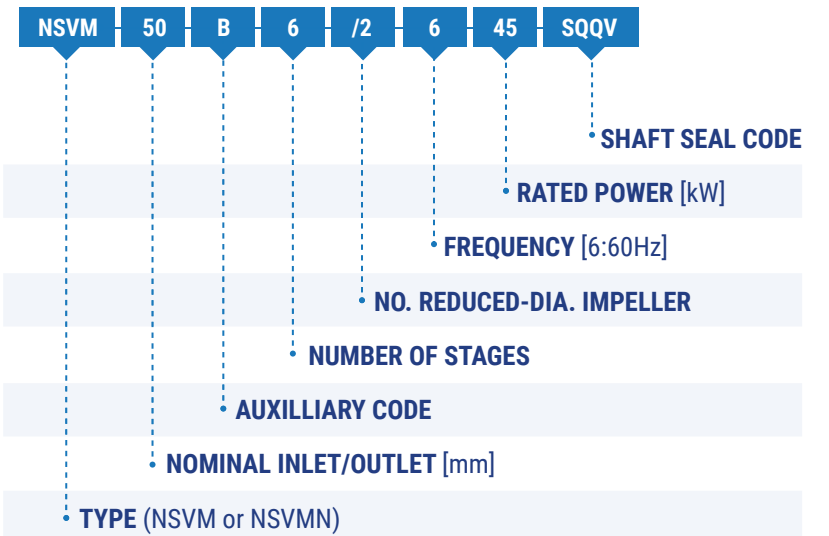
WATER SUPPLY & PRESSURE BOOSTING

- Washing and cleaning systems
- Car washing facilities
- Fire fighting systems
- Process water systems
- Machine tools (cooling lubricants)

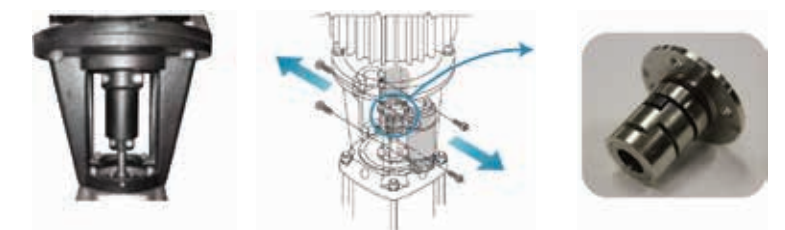
WATER TREATMENT

- Water softeners and demineralization
- Reverse osmosis systems
- Distillation systems
- Filtration
- Ultra filtration systems

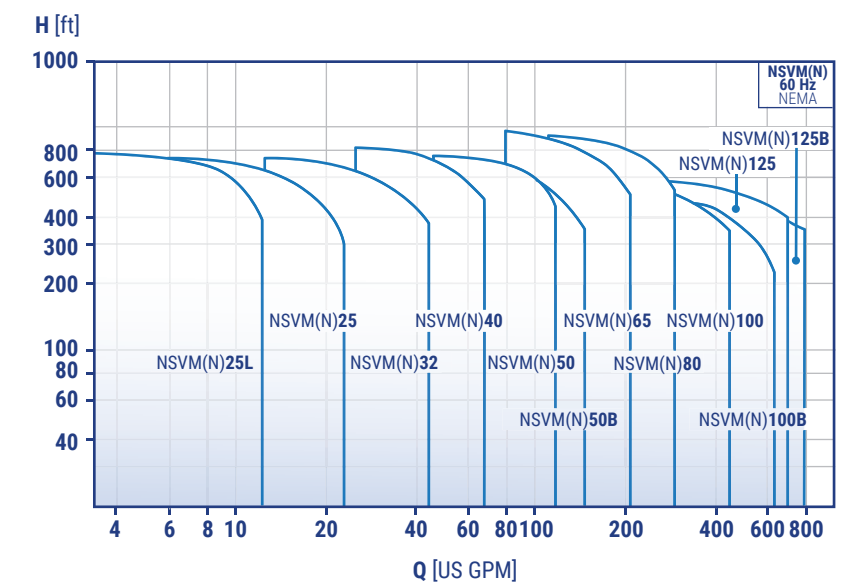
MODEL CODE



CARTRIDGE TYPE MECHANICAL SEAL



PERFORMANCE RANGE



STANDARD SPECIFICATION

60Hz	NSVM, NSVMN					NSVM, NSVMN						
	25L	25	32	40	50	50B	65	80	100	100B	125	125B
NOMINAL INLET/OUTLET (inch)	1 1/4"	1 1/4"	1 1/4"	2"	2"	2"	2 1/2"	3"	4"	4"	5"	5"
NOMINAL FLOW (gpm)	5.3	15.8	26.4	52.8	79.3	105	167.3	237.7	339	475.5	616.4	792.5
FLOW RANGE (gpm)	3.5 - 12	6.6 - 23	13.2 - 44	26.4 - 68	46 - 123	55 - 154	79.3 - 211	114 - 308	158.5 - 449	237.7 - 642	264.2 - 704	330 - 792
MAX PRESSURE (psi)	340	338	333	355	340	297	391	377	258	230	268	222
FLUID TEMPERATURE (°C)	0 - 120	0 - 120	0 - 120	0 - 120	0 - 120	0 - 120	0 - 120	0 - 120	0 - 120	0 - 120	0 - 120	0 - 120
MOTOR POWER (hp)	0.33 - 3.0	0.33 - 5.0	0.75 - 7.5	0.75 - 15	0.2 - 25	3.0 - 25	3.0 - 40	7.5 - 60	0.75 - 60	15 - 60	20 - 100	25 - 100

MATERIAL												
NSVM	STAINLESS STEEL EN 1.4301 / AISI 304 / SUS 304					STAINLESS STEEL EN 1.4301 / AISI 304 / SUS 304						
NSVMN	STAINLESS STEEL EN 1.4401 / AISI 316 / SUS 316					STAINLESS STEEL EN 1.4401 / AISI 316 / SUS 316						

MOTOR												
MAINS CONNECTION 3~[V/Hz]	0.33 - 100HP 208 - 230 / 460V 60Hz					0.33 - 100HP 208 - 230 / 460V 60Hz						
INSULATION CLASS	F					F						
ENCLOSURE CLASS	IP 55					IP 55						
AMBIENT TEMPERATURE	MAX 50°C					MAX 50°C						

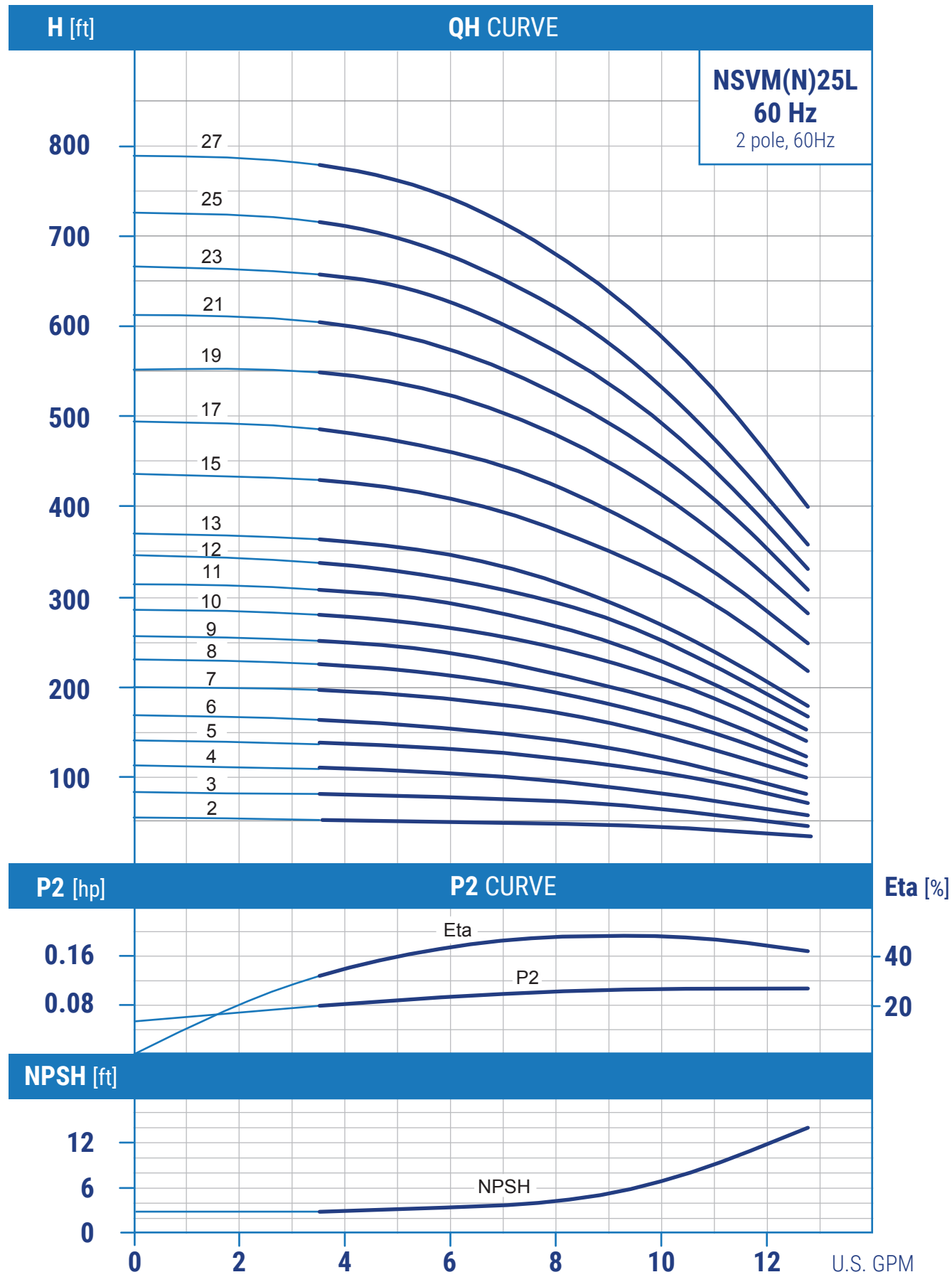
PIPE CONNECTION												
FLANGE [ANSI] R.F.	1 1/4" / 300lb	1 1/4" / 300lb	1 1/4" / 300lb	2" / 300lb	2" / 300lb	2" / 300lb	**2 1/2" 150lbs 300lbs	**3" 150lbs 300lbs	**4" 150lbs 300lbs	**4" 150lbs 300lbs	**5" 150lbs 300lbs	**5" 150lbs 300lbs

** Refer to Drawing for Corresponding Flange Rating

SHAFT SEAL												
MECHANICAL SEAL	CARTRIDGE TYPE SIC / SIC + Viton					CARTRIDGE TYPE SIC / SIC + Viton						

MAXIMUM OPERATING & INLET PRESSURE

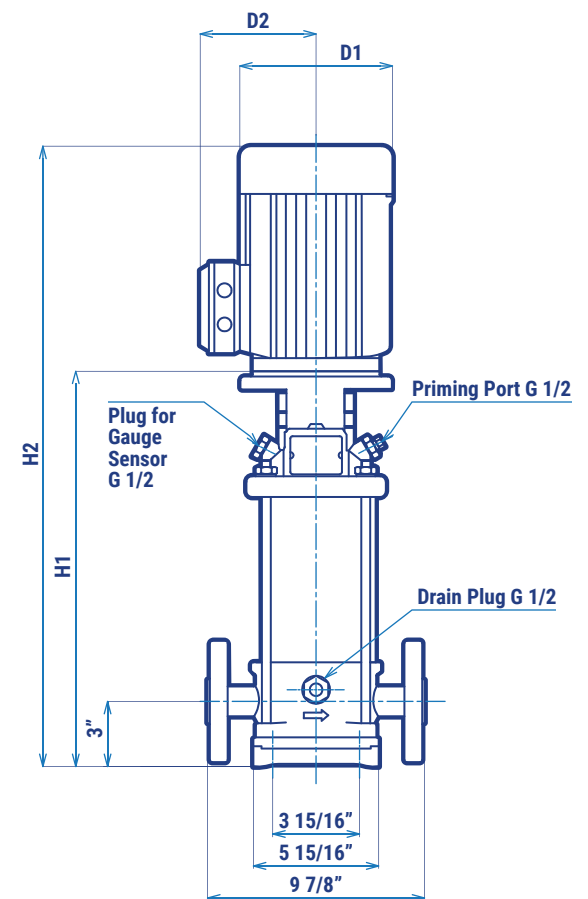
60Hz	NSVM, NSVMN					NSVM, NSVMN						
	25L	25	32	40	50	50B	65	80	100	100B	125	125B
STAGES	2 - 27	2 - 25	2 - 24	1 - 10 / 12 - 17	1 - 8 / 9 - 12	1 - 7 / 8 - 10	(1-1)-5 / (6-2)-(11-2)	(1-1)-4 / (5-2)-(8-1)	(1-1)-3 / (4-2)-(5-2)	(1-1)-3 / (4-2)-(4-1)	(1-1)-(5-2)	(1-1)-(4-1)
MAXIMUM OPERATING PRESSURE	362 psi	362 psi	362 psi	232 / 362psi	232 / 362psi	232 / 362psi	232 / 435 psi	232 / 435 psi	232 / 435 psi	232 / 435 psi	435 psi	435 psi
STAGES	2 - 25 / 27	2 - 15 / 17 - 25	2 - 9 / 10 - 24	1 - 5 / 6 - 17	1 - 2 / 3 - 12	1 / 2 - 10	(1-1)(2)/(3-2)(6)/(7-2)(11-2)	(1-1)-1 / (2-2)-3 / (4-2)-(8-1)	(1-1) / 1-(2-1) / 2-(5-2)	(1-1)-(2-2) / (2-1)-(4-1)	(1-1) / (2-2)-(3-1) / 3-(5-2)	(1-1) / (1-2) / (3-2)-(4-1)
MAXIMUM INLET PRESSURES	145 / 217 psi	145 / 217psi	145 / 217psi	116 / 145psi	116 / 145psi	116 / 145psi	58 / 145 / 217 psi	58 / 145 / 217 psi	58 / 145 / 217 psi	145 / 217 psi	145 / 217 / 290 psi	145 / 217 / 290 psi
MINIMUM NOMINAL FLOW RATE	3.5	6.6	13.2	26.4	46	55	79.3	114	158.5	237.7	264.2	330



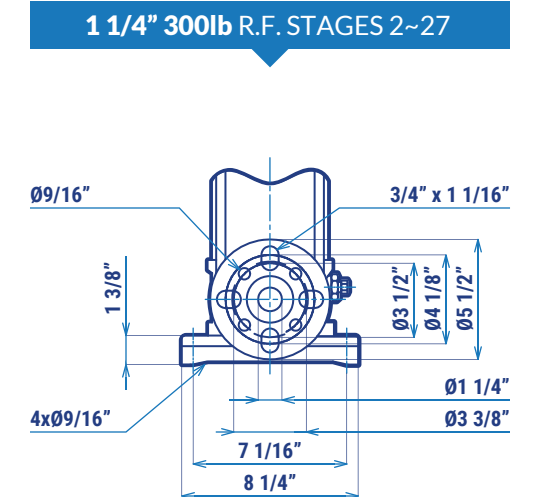
DIMENSIONS & WEIGHTS

MODEL	HP	NEMA FRAME SIZE	H1 [in]	H2 [in]	D1 [in]	D2 [in]	PUMP END [lbs]	PUMP [lbs]
NSVM(N) 25L2-6.37	0.33	56C	12.05	20.97	7.64	5.87	34	51
NSVM(N) 25L3-6.37	0.33	56C	12.05	20.97	7.64	5.87	34	51
NSVM(N) 25L4-6.37	0.5	56C	12.76	22.07	7.64	5.87	35	54
NSVM(N) 25L5-6.55	0.5	56C	13.46	22.78	7.64	5.87	35	54
NSVM(N) 25L6-6.55	0.75	56C	14.17	23.49	7.64	5.87	36	56
NSVM(N) 25L7-6.75	0.75	56C	14.84	24.16	7.64	5.87	37	57
NSVM(N) 25L8-6.75	1	56C	15.55	25.26	7.64	5.87	38	61
NSVM(N) 25L9-6.75	1	56C	16.26	25.97	7.64	5.87	38	61
NSVM(N) 25L10-61.1	1.5	56C	16.97	27.07	7.64	5.87	39	65
NSVM(N) 25L11-61.1	1.5	56C	17.68	27.78	7.64	5.87	40	66
NSVM(N) 25L12-61.1	1.5	56C	18.39	28.49	7.64	5.87	41	67
NSVM(N) 25L13-61.1	1.5	56C	19.09	29.20	7.64	5.87	42	68
NSVM(N) 25L15-61.5	2	56C	20.55	31.44	7.64	5.87	43	74
NSVM(N) 25L17-61.5	2	56C	21.97	32.86	7.64	5.87	45	76
NSVM(N) 25L19-62.2	3	182TC	23.39	35.38	8.74	7.56	46	134
NSVM(N) 25L21-62.2	3	182TC	25.73	37.71	8.74	7.56	54	142
NSVM(N) 25L23-62.2	3	182TC	27.15	39.13	8.74	7.56	56	144
NSVM(N) 25L25-62.2	3	182TC	28.56	40.55	8.74	7.56	57	145
NSVM(N) 25L27-63.0	3	182TC	29.98	41.97	8.74	7.56	59	147

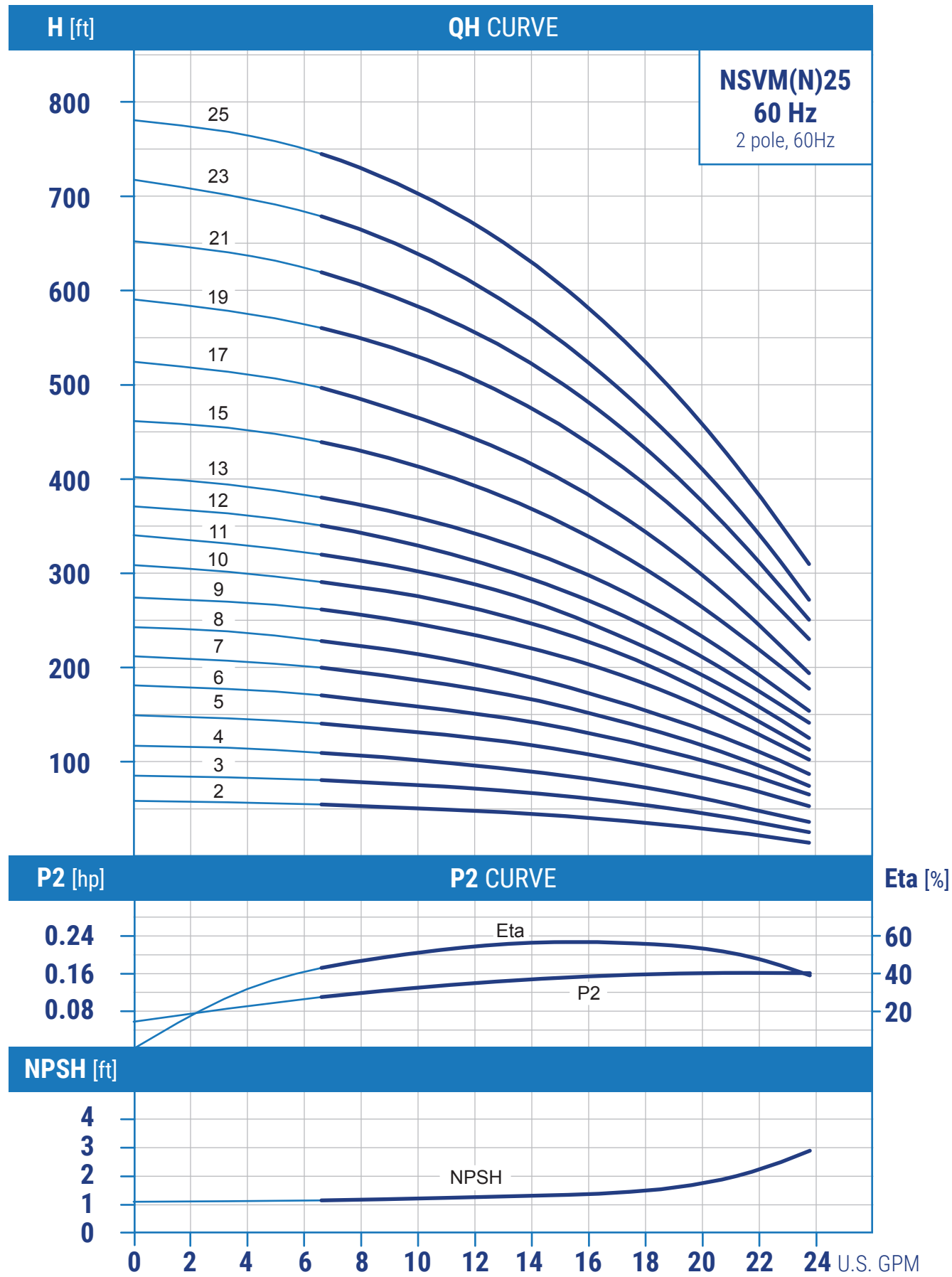
ASSEMBLY DRAWINGS



FLANGE (ANSI)



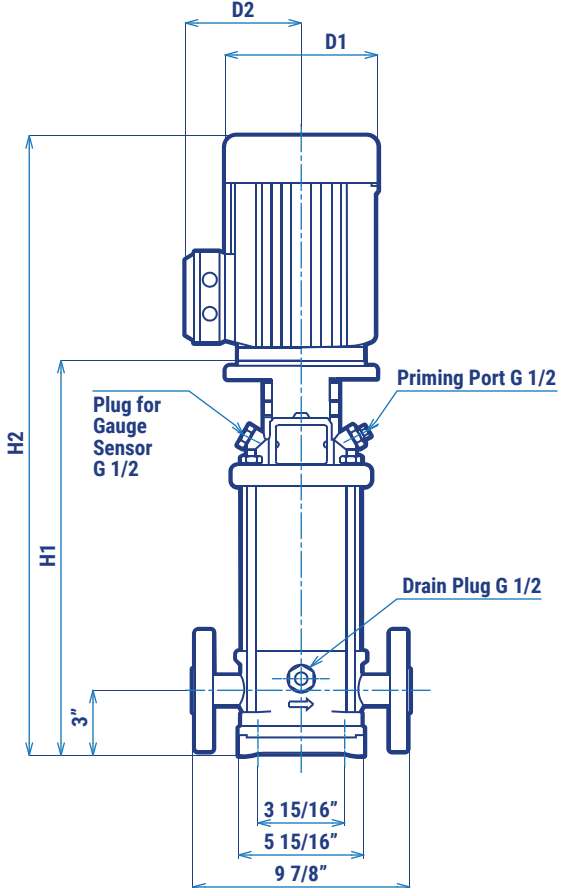
H1, D1, D2 and Pump Weight are for reference only. Pump Weight is based on Pump End with Totally Enclosed Fan Cooled Motor.



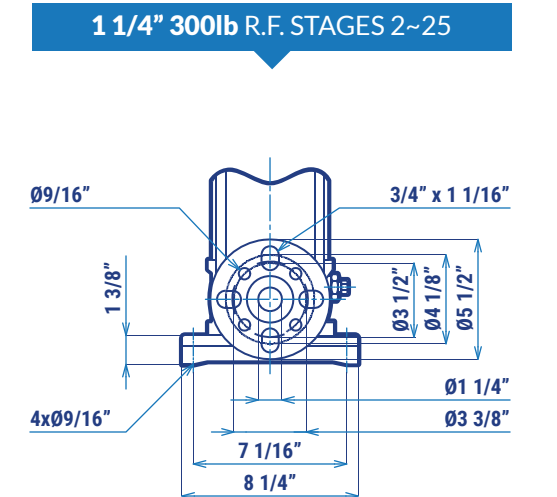
DIMENSIONS & WEIGHTS

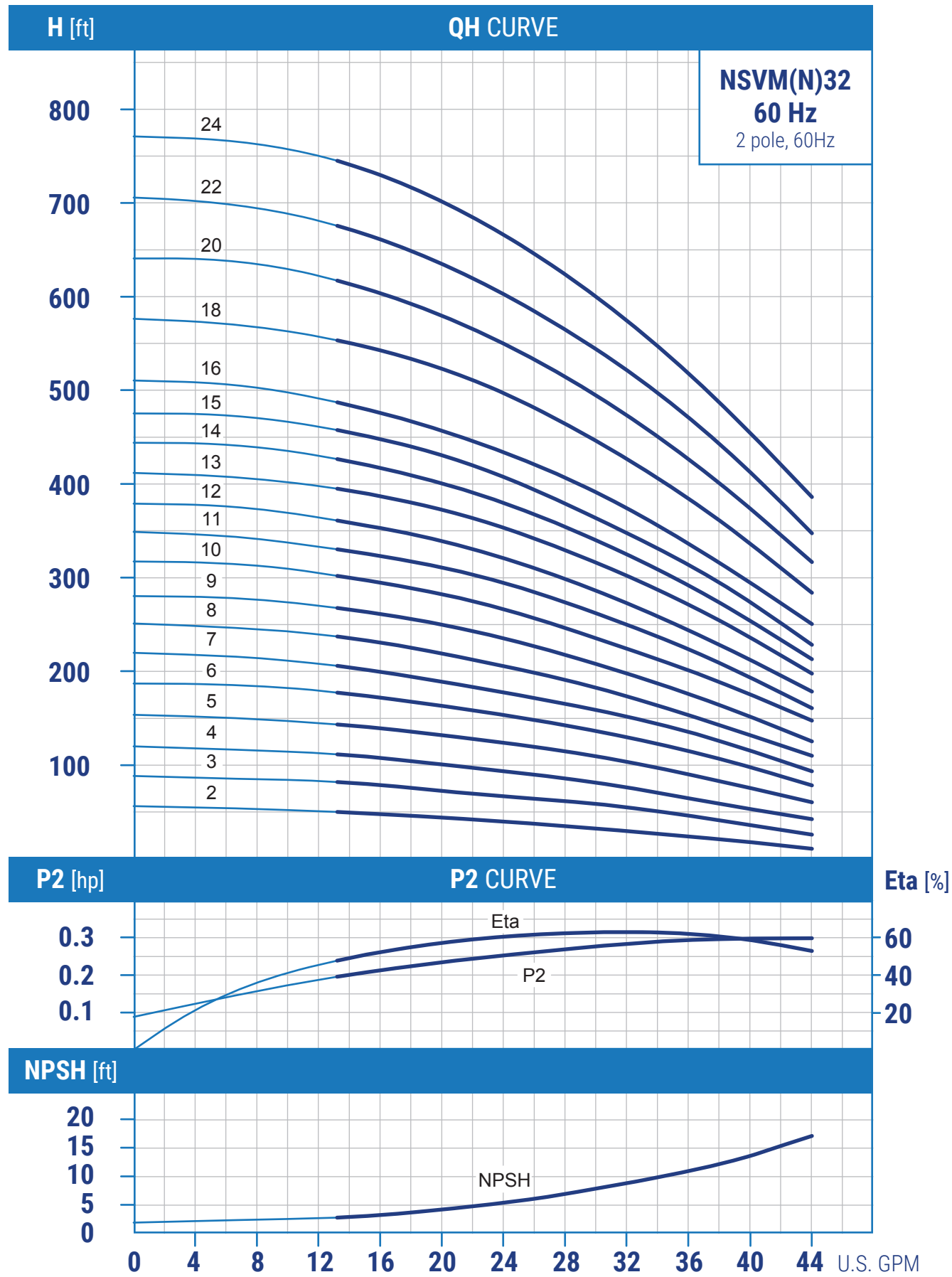
ASSEMBLY DRAWINGS

MODEL	HP	NEMA FRAME SIZE	H1 [in]	H2 [in]	D1 [in]	D2 [in]	PUMP END [lbs]	PUMP [lbs]
NSVM(N) 252-6.37	0.33	56C	12.05	20.97	7.64	5.87	34	51
NSVM(N) 253-6.55	0.5	56C	12.05	21.63	7.64	5.87	34	53
NSVM(N) 254-6.55	0.75	56C	12.76	22.07	7.64	5.87	35	55
NSVM(N) 255-6.75	0.75	56C	13.43	22.74	7.64	5.87	35	55
NSVM(N) 256-61.1	1	56C	14.13	23.84	7.64	5.87	36	59
NSVM(N) 257-61.1	1.5	56C	14.84	24.95	7.64	5.87	37	63
NSVM(N) 258-61.1	1.5	56C	15.55	25.66	7.64	5.87	38	64
NSVM(N) 259-61.5	1.5	56C	16.30	26.40	7.64	5.87	38	64
NSVM(N) 2510-61.5	2	56C	17.01	27.90	7.64	5.87	39	70
NSVM(N) 2511-61.5	2	56C	17.72	28.61	7.64	5.87	40	71
NSVM(N) 2512-62.2	2	56C	18.43	29.32	7.64	5.87	41	72
NSVM(N) 2513-62.2	3	182TC	20.06	32.04	8.74	7.56	48	136
NSVM(N) 2515-62.2	3	182TC	21.48	33.46	8.74	7.56	49	137
NSVM(N) 2517-62.2	3	182TC	22.89	34.88	8.74	7.56	51	139
NSVM(N) 2519-63.0	3	182TC	24.50	36.49	8.74	7.56	52	140
NSVM(N) 2521-63.0	5	184TC	25.73	38.71	8.74	7.56	54	142
NSVM(N) 2523-63.0	5	184TC	27.15	40.13	8.74	7.56	56	144
NSVM(N) 2525-64.0	5	184TC	28.56	41.55	8.74	7.56	57	145



FLANGE (ANSI)

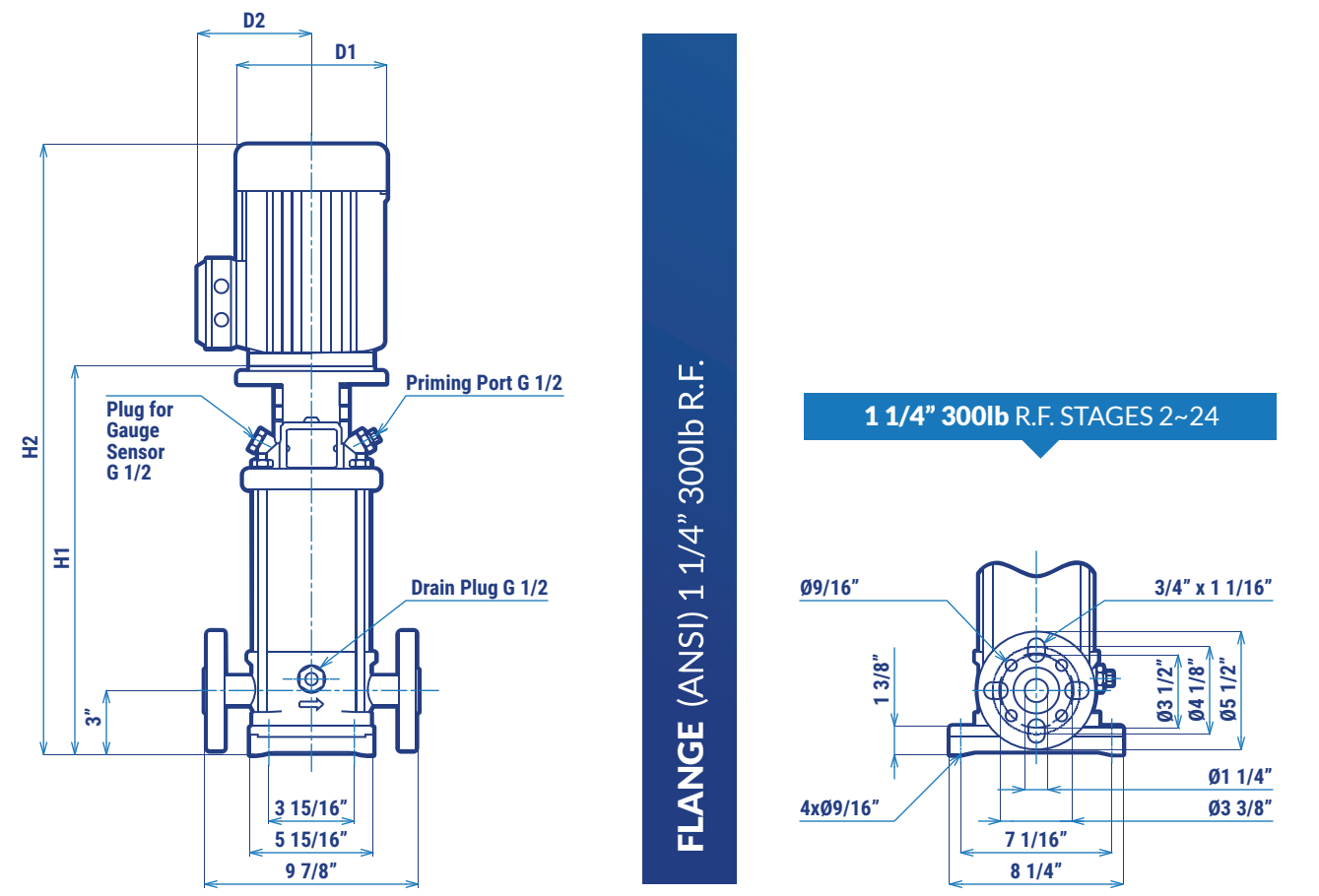


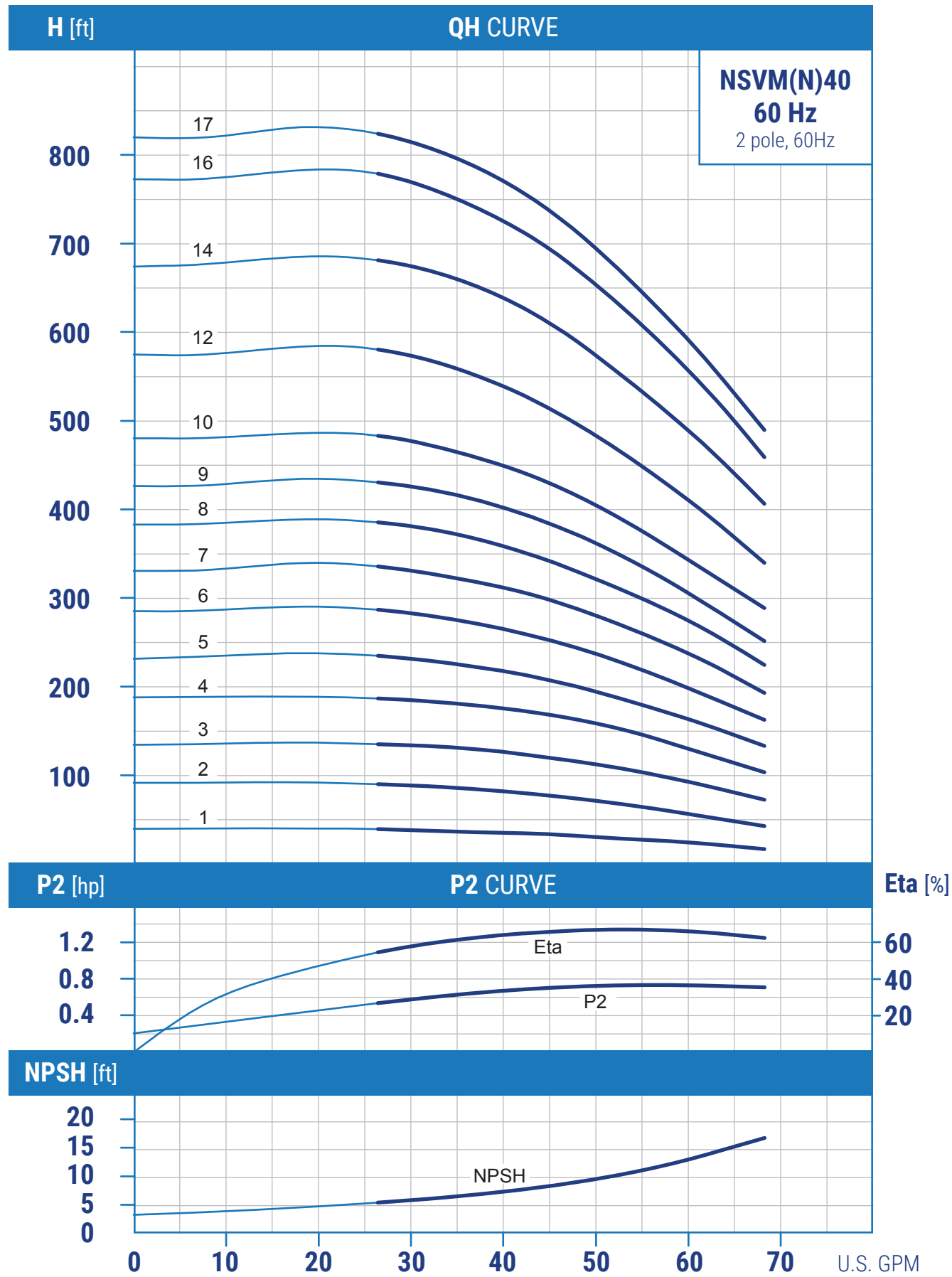


DIMENSIONS & WEIGHTS

MODEL	HP	NEMA FRAME SIZE	H1 [in]	H2 [in]	D1 [in]	D2 [in]	PUMP END [lbs]	PUMP [lbs]
NSVM(N) 322-6.55	0.75	56C	12.05	21.36	7.64	5.87	33	53
NSVM(N) 323-61.1	1	56C	13.07	22.78	7.64	5.87	35	58
NSVM(N) 324-61.1	1.5	56C	14.13	24.24	7.64	5.87	36	62
NSVM(N) 325-61.5	2	56C	15.24	26.13	7.64	5.87	37	68
NSVM(N) 326-62.2	2	56C	16.30	27.19	7.64	5.87	38	69
NSVM(N) 327-62.2	3	182TC	17.36	29.35	8.74	7.56	39	127
NSVM(N) 328-62.2	3	182TC	19.35	31.34	8.74	7.56	46	134
NSVM(N) 329-62.2	3	182TC	20.41	32.40	8.74	7.56	48	136
NSVM(N) 3210-63.0	3	182TC	21.67	33.66	8.74	7.56	49	137
NSVM(N) 3211-63.0	5	184TC	22.54	35.52	8.74	7.56	50	138
NSVM(N) 3212-63.0	5	184TC	23.60	36.59	8.74	7.56	51	139
NSVM(N) 3213-64.0	5	184TC	24.67	37.65	8.74	7.56	52	140
NSVM(N) 3214-64.0	5	184TC	25.73	38.71	8.74	7.56	53	141
NSVM(N) 3215-64.0	5	184TC	26.79	39.78	8.74	7.56	55	143
NSVM(N) 3216-64.0	5	184TC	27.85	40.84	8.74	7.56	56	144
NSVM(N) 3218-65.5	7.5	213TC	30.57	45.22	10.67	8.58	63	202
NSVM(N) 3220-65.5	7.5	213TC	32.70	47.34	10.67	8.58	66	205
NSVM(N) 3222-65.5	7.5	213TC	34.82	49.47	10.67	8.58	68	207
NSVM(N) 3224-67.5	7.5	213TC	36.95	51.59	10.67	8.58	70	209

ASSEMBLY DRAWINGS

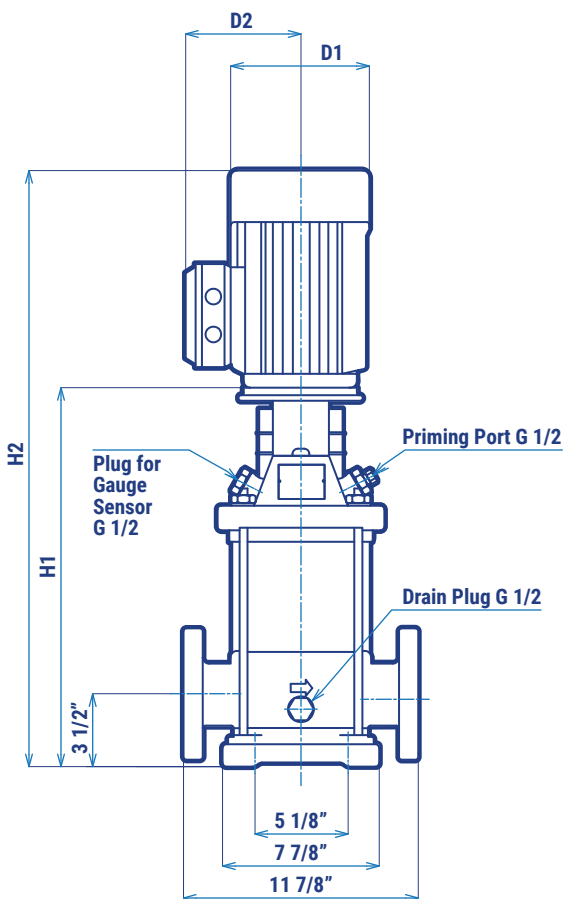




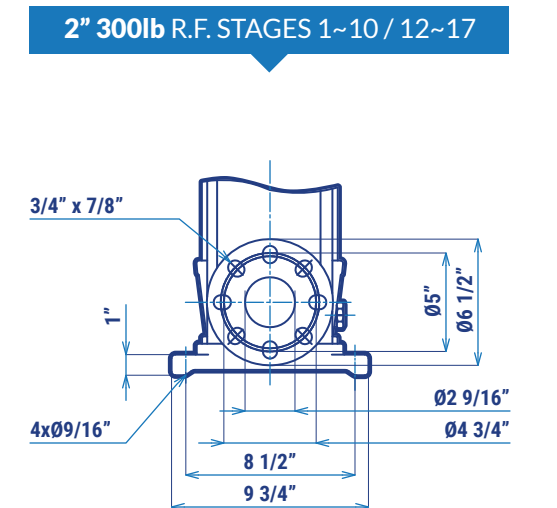
DIMENSIONS & WEIGHTS

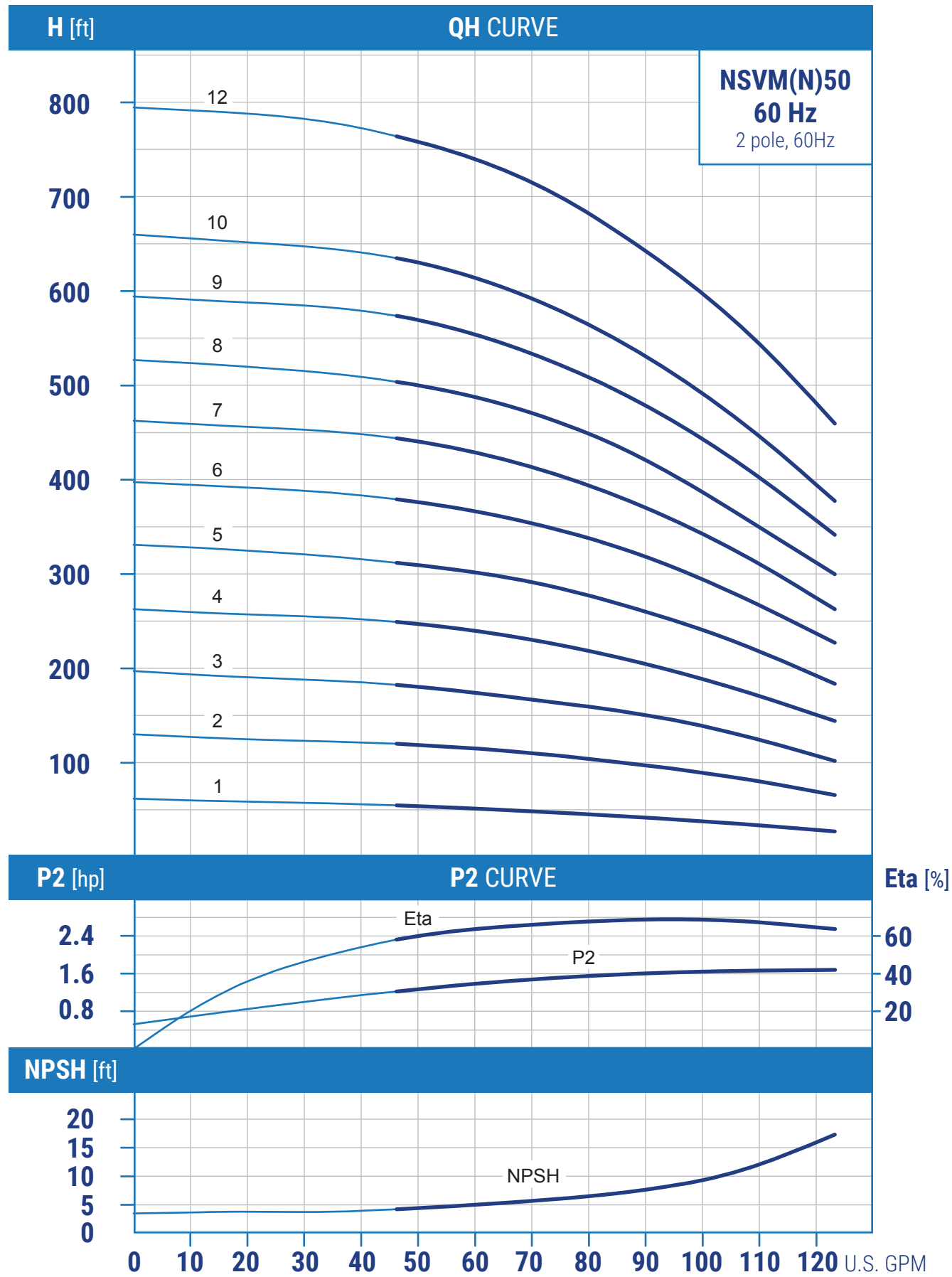
MODEL	HP	NEMA FRAME SIZE	H1 [in]	H2 [in]	D1 [in]	D2 [in]	PUMP END [lbs]	PUMP [lbs]
NSVM(N) 401-6.75	0.75	56C	14.96	24.28	7.64	5.87	60	80
NSVM(N) 402-61.5	1.5	56C	14.96	25.06	7.64	5.87	60	86
NSVM(N) 403-62.2	3	182TC	17.15	29.14	8.74	7.56	84	172
NSVM(N) 404-63.0	3	182TC	18.35	30.34	8.74	7.56	87	175
NSVM(N) 405-63.0	5	184TC	19.53	32.52	8.74	7.56	89	177
NSVM(N) 406-64.0	5	184TC	20.71	33.70	8.74	7.56	91	179
NSVM(N) 407-65.5	7.5	213TC	21.25	35.90	10.67	8.58	93	232
NSVM(N) 408-65.5	7.5	213TC	23.62	38.27	10.67	8.58	103	242
NSVM(N) 409-65.5	7.5	213TC	24.80	39.45	10.67	8.58	105	244
NSVM(N) 4010-67.5	7.5	213TC	25.98	40.63	10.67	8.58	107	246
NSVM(N) 4012-67.5	10	215TC	28.34	44.48	10.67	8.58	111	274
NSVM(N) 4014-611	15	254TC	30.01	49.22	12.95	10.39	116	375
NSVM(N) 4016-611	15	254TC	35.69	54.90	12.95	10.39	130	389
NSVM(N) 4017-611	15	254TC	38.06	57.27	12.95	10.39	133	392

ASSEMBLY DRAWINGS

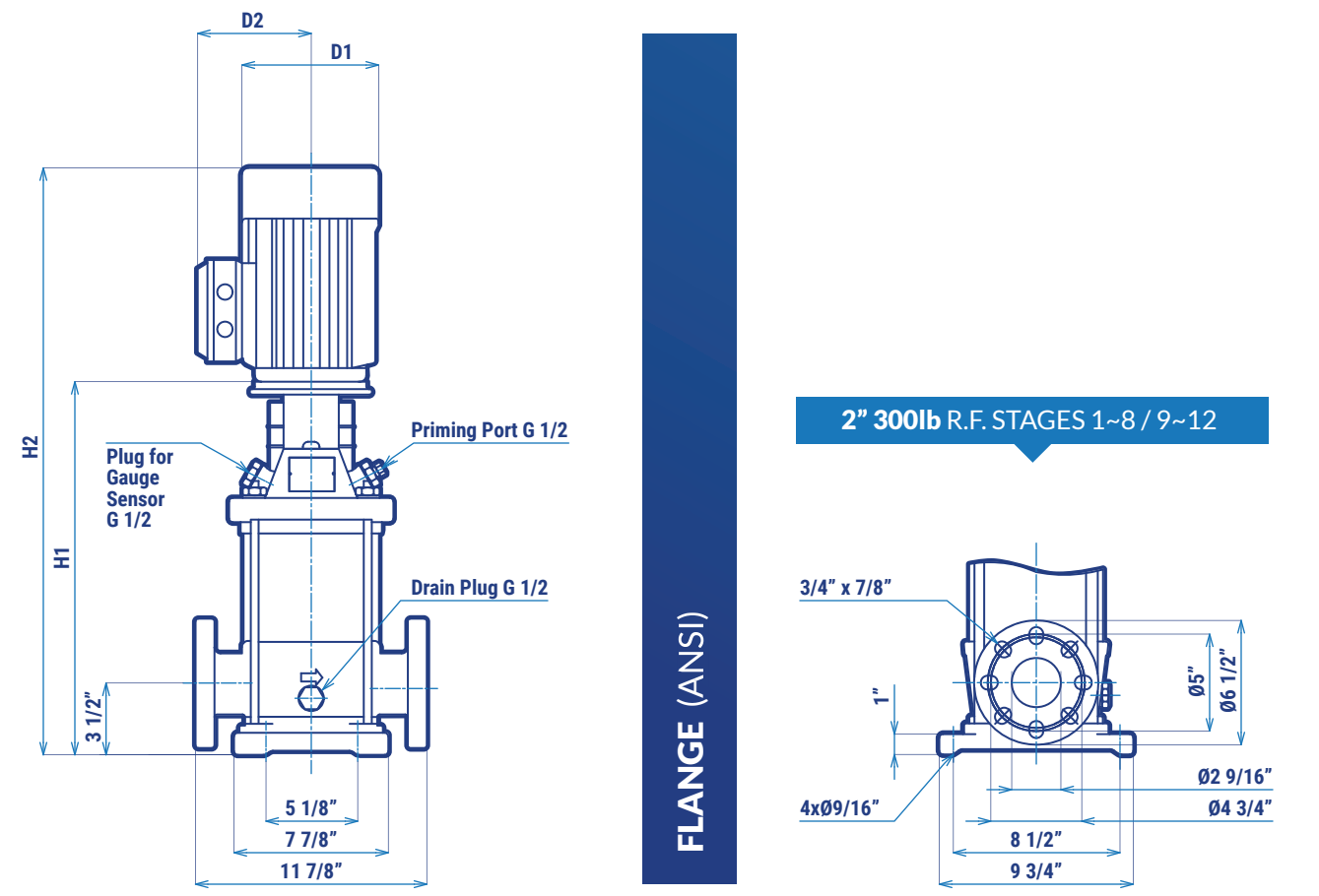


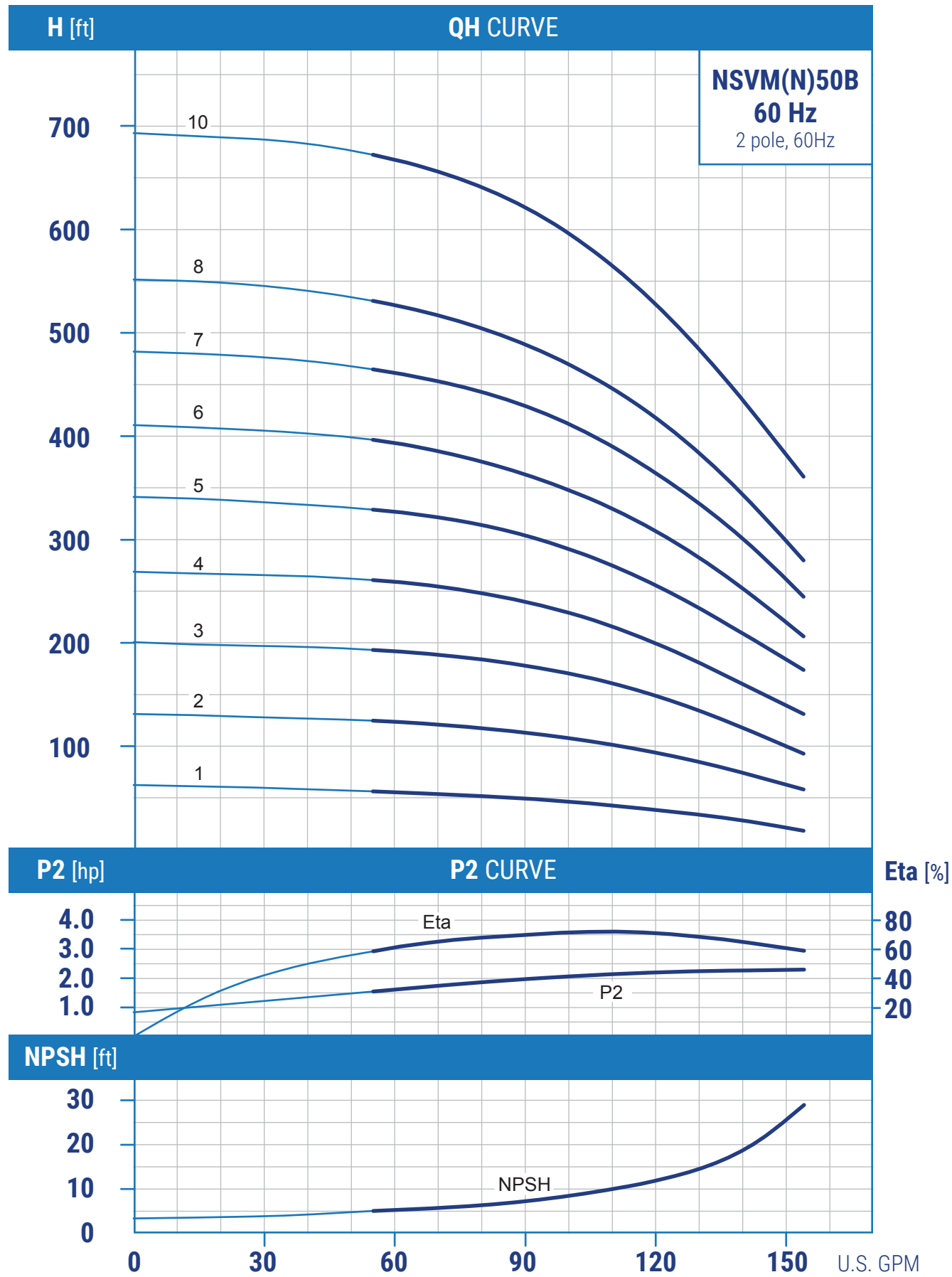
FLANGE (ANSI)





MODEL	HP	NEMA FRAME SIZE	H1 [in]	H2 [in]	D1 [in]	D2 [in]	PUMP END [lbs]	PUMP [lbs]
NSVM(N) 501-61.5	2	56C	16.10	26.99	7.64	5.87	61	92
NSVM(N) 502-63.0	5	184TC	17.13	30.12	8.74	7.56	84	172
NSVM(N) 503-64.0	5	184TC	18.30	31.29	8.74	7.56	87	175
NSVM(N) 504-65.5	7.5	213TC	21.22	35.87	10.67	8.58	97	236
NSVM(N) 505-67.5	10	215TC	22.99	39.13	10.67	8.58	100	263
NSVM(N) 506-611	15	254TC	24.07	43.28	12.95	10.39	103	362
NSVM(N) 507-611	15	254TC	29.16	48.37	12.95	10.39	116	375
NSVM(N) 508-611	15	254TC	30.93	50.14	12.95	10.39	119	378
NSVM(N) 509-615	20	256TC	32.70	53.65	12.95	10.39	123	405
NSVM(N) 5010-615	20	256TC	34.47	55.42	12.95	10.39	126	408
NSVM(N) 5012-618	25	284TSC	37.26	59.07	14.17	10.98	126	488

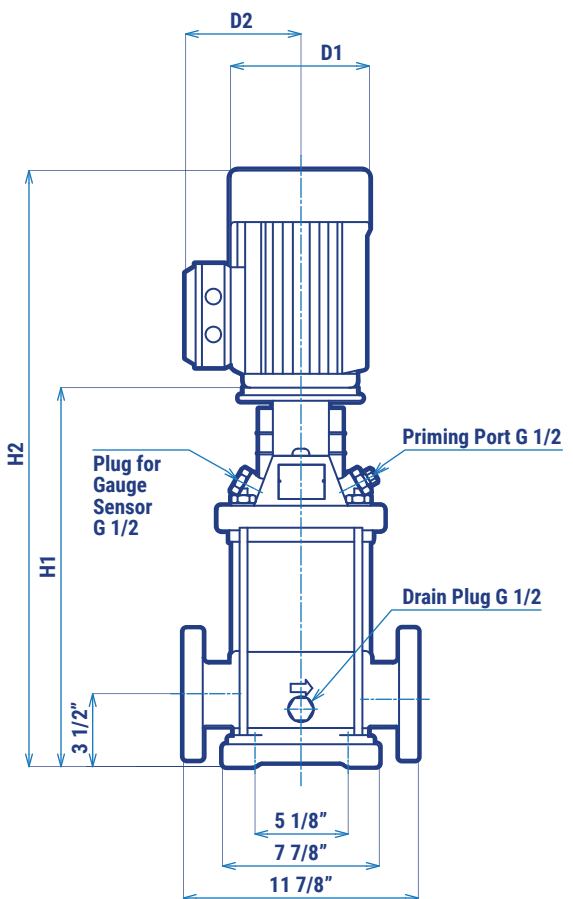




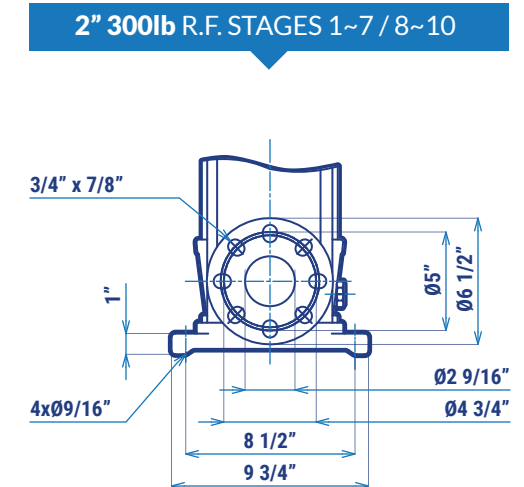
DIMENSIONS & WEIGHTS

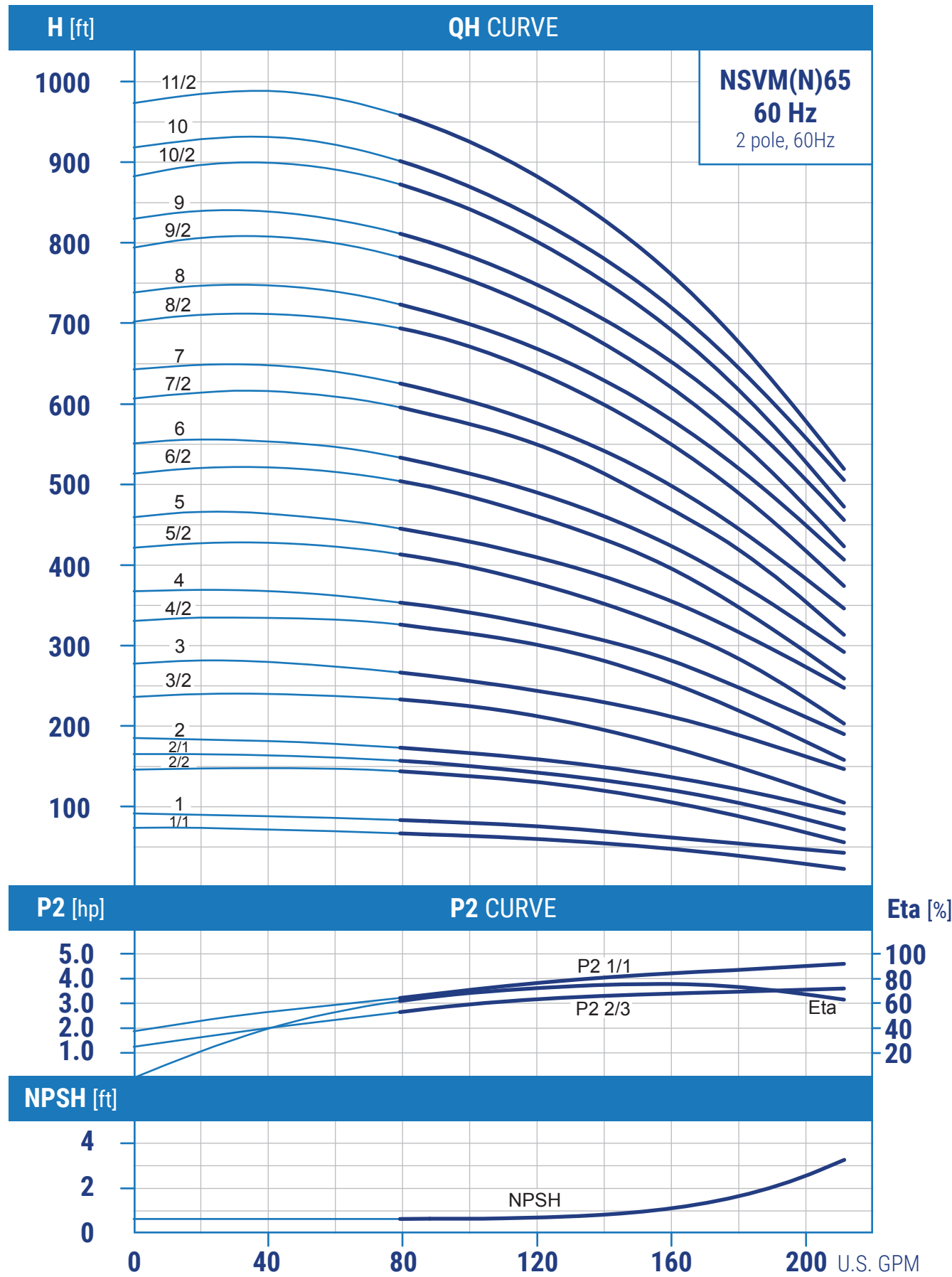
ASSEMBLY DRAWINGS

MODEL	HP	NEMA FRAME SIZE	H1 [in]	H2 [in]	D1 [in]	D2 [in]	PUMP END [lbs]	PUMP [lbs]
NSVM(N) 50B1-62.2	3	182TC	17.19	29.18	8.74	7.56	83	171
NSVM(N) 50B2-64.0	5	184TC	17.20	30.19	8.74	7.56	84	172
NSVM(N) 50B3-65.5	7.5	213TC	19.52	34.17	10.67	8.58	94	233
NSVM(N) 50B4-67.5	10	215TC	21.30	37.44	10.67	8.58	97	260
NSVM(N) 50B5-611	15	254TC	25.69	44.90	12.95	10.39	110	369
NSVM(N) 50B6-611	15	254TC	27.46	46.67	12.95	10.39	113	372
NSVM(N) 50B7-615	20	256TC	29.24	50.19	12.95	10.39	116	398
NSVM(N) 50B8-615	20	256TC	31.01	51.96	12.95	10.39	119	401
NSVM(N) 50B10-618	25	284TSC	33.80	55.61	14.17	10.98	120	482

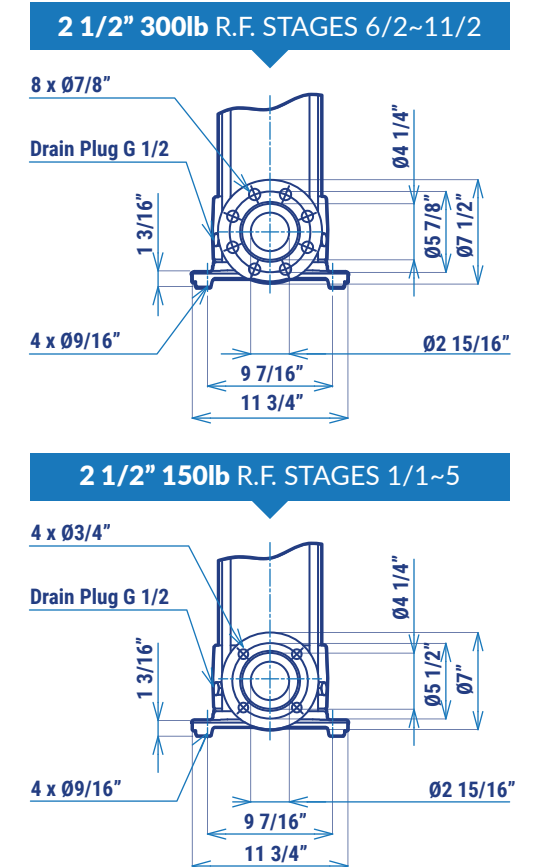
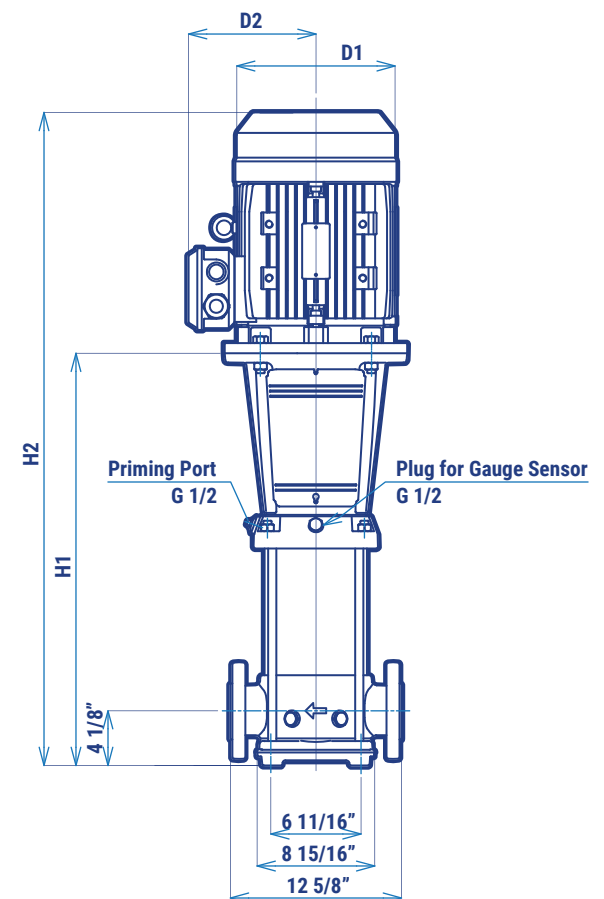


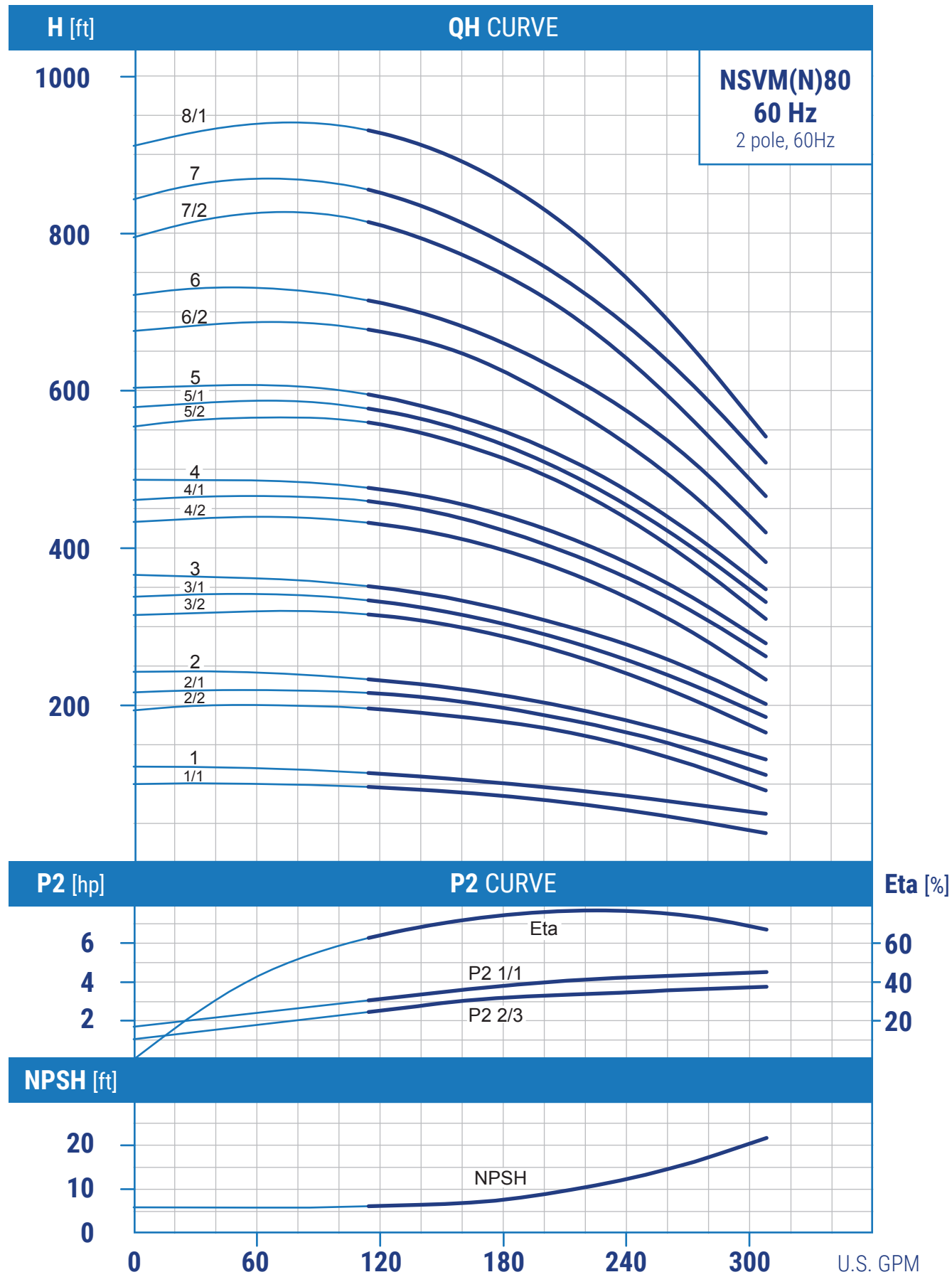
FLANGE (ANSI)





MODEL	HP	NEMA FRAME SIZE	H1 [in]	H2 [in]	D1 [in]	D2 [in]	PUMP END [lbs]	PUMP [lbs]
NSVM(N) 651/1-62.2	3	182TC	20.02	32.00	8.74	7.56	110	198
NSVM(N) 651-63.0	5	184TC	20.02	33.00	8.74	7.56	110	198
NSVM(N) 652/2-65.5	7.5	213TC	22.78	37.42	10.67	8.58	117	256
NSVM(N) 652/1-65.5	7.5	213TC	22.78	37.42	10.67	8.58	117	256
NSVM(N) 652-67.5	7.5	213TC	22.78	37.42	10.67	8.58	117	256
NSVM(N) 653/2-611	10	215TC	25.53	41.67	10.67	8.58	123	286
NSVM(N) 653-611	15	254TC	29.67	48.88	12.95	10.39	144	403
NSVM(N) 654/2-611	15	254TC	32.42	51.63	12.95	10.39	151	310
NSVM(N) 654-615	15	254TC	32.42	51.63	12.95	10.39	151	410
NSVM(N) 655/2-615	20	256TC	35.18	56.12	12.95	10.39	158	440
NSVM(N) 655-618	20	256TC	35.18	56.12	12.95	10.39	158	440
NSVM(N) 656/2-618	25	284TSC	37.93	59.74	14.17	10.98	166	528
NSVM(N) 656-618	25	284TSC	37.93	59.74	14.17	10.98	167	529
NSVM(N) 657/2-622	30	286TSC	40.69	64.00	14.17	10.98	173	565
NSVM(N) 657-622	30	286TSC	40.69	64.00	14.17	10.98	173	565
NSVM(N) 658/2-630	30	286TSC	43.44	66.75	14.17	10.98	180	572
NSVM(N) 658-630	40	324TSC	43.44	67.81	15.83	12.48	180	727
NSVM(N) 659/2-630	40	324TSC	46.20	70.57	15.83	12.48	186	733
NSVM(N) 659-630	40	324TSC	46.20	70.57	15.83	12.48	186	733
NSVM(N) 6510/2-630	40	324TSC	48.96	73.33	15.83	12.48	192	739
NSVM(N) 6510-630	40	324TSC	48.96	73.33	15.83	12.48	192	739
NSVM(N) 6511/2-630	40	324TSC	51.71	76.08	15.83	12.48	198	745

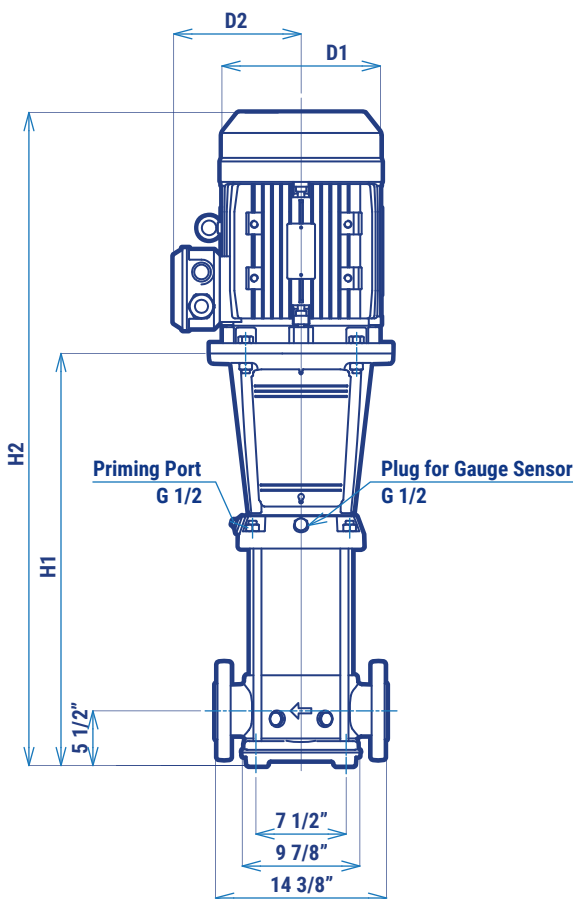




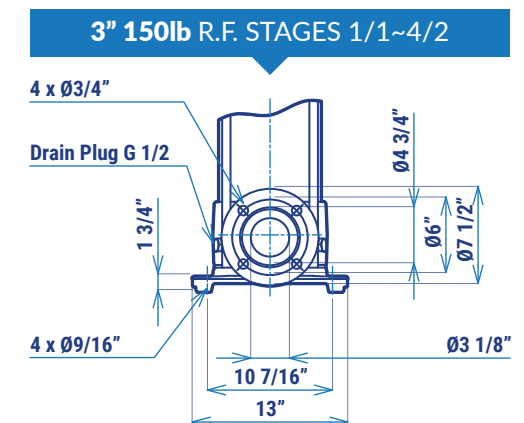
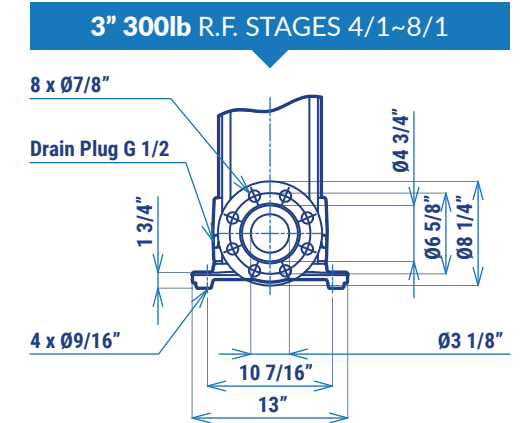
DIMENSIONS & WEIGHTS

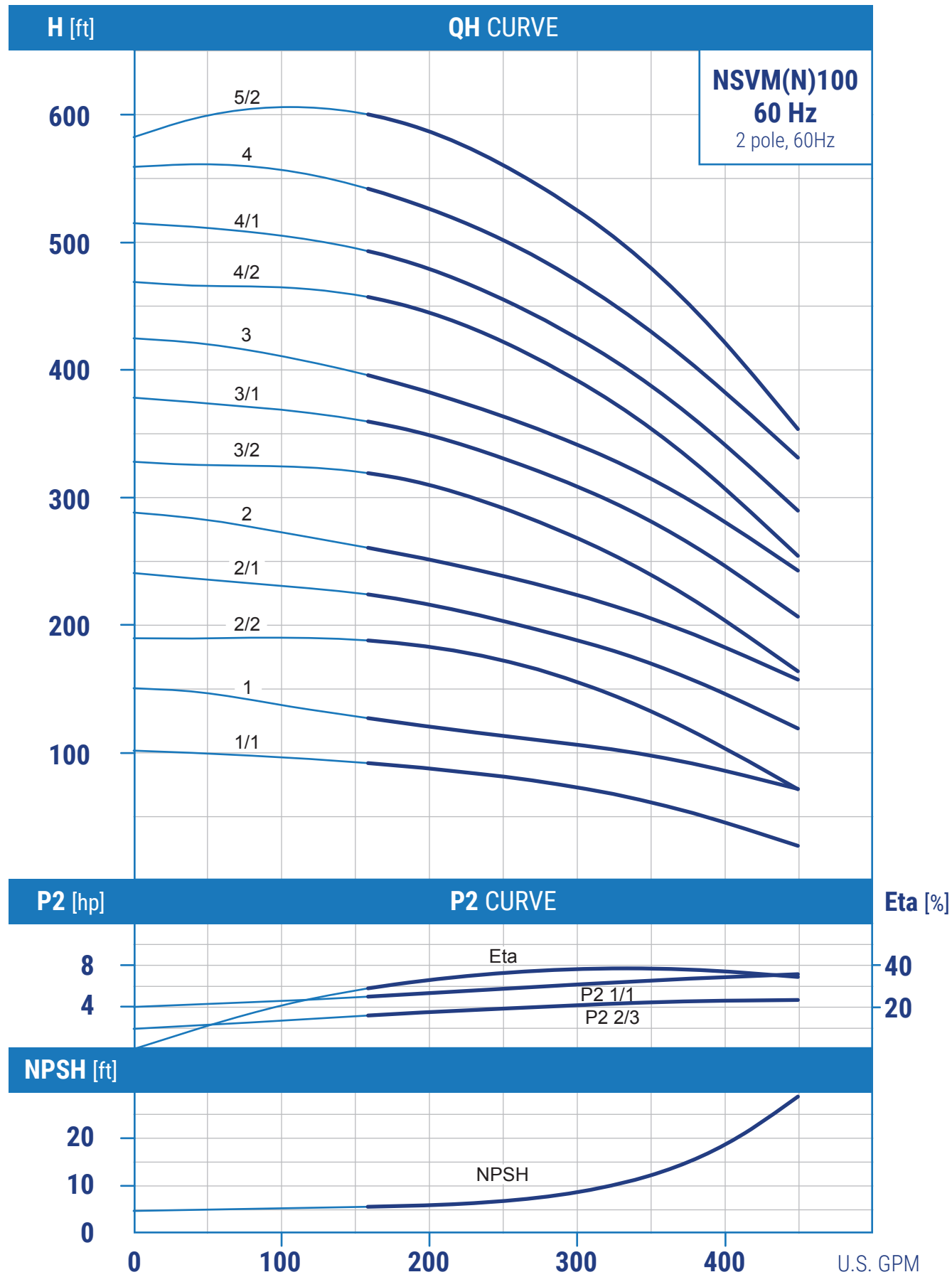
ASSEMBLY DRAWINGS

MODEL	HP	NEMA FRAME SIZE	H1 [in]	H2 [in]	D1 [in]	D2 [in]	PUMP END [lbs]	PUMP [lbs]
NSVM(N) 801/1-65.5	7.5	213TC	22.20	36.85	10.67	8.58	125	264
NSVM(N) 801-67.5	7.5	213TC	22.20	36.85	10.67	8.58	125	264
NSVM(N) 802/2-611	15	254TC	29.49	48.70	12.95	10.39	154	413
NSVM(N) 802/1-611	15	254TC	29.49	48.70	12.95	10.39	154	413
NSVM(N) 802-615	15	254TC	29.49	48.70	12.95	10.39	154	413
NSVM(N) 803/2-618	20	256TC	32.64	53.58	12.95	10.39	162	444
NSVM(N) 803/1-618	25	284TSC	32.64	54.45	14.17	10.98	164	526
NSVM(N) 803-618	25	284TSC	32.64	54.45	14.17	10.98	164	526
NSVM(N) 804/2-622	30	286TSC	35.79	59.09	14.17	10.98	172	564
NSVM(N) 804/1-630	30	286TSC	35.79	59.09	14.17	10.98	172	564
NSVM(N) 804-630	30	286TSC	35.79	59.09	14.17	10.98	172	564
NSVM(N) 805/2-630	40	324TSC	38.94	63.31	15.83	12.48	180	727
NSVM(N) 805/1-630	40	324TSC	38.94	63.31	15.83	12.48	180	727
NSVM(N) 805-630	40	324TSC	38.94	63.31	15.83	12.48	180	727
NSVM(N) 806/2-637	50	326TSC	42.09	67.95	15.83	12.48	206	790
NSVM(N) 806-637	50	326TSC	42.09	67.95	15.83	12.48	206	790
NSVM(N) 807/2-645	50	326TSC	45.24	71.10	15.83	12.48	214	798
NSVM(N) 807-645	60	364/5TSC	45.24	73.76	17.91	16.38	214	1039
NSVM(N) 808/1-645	60	364/5TSC	48.39	76.91	17.91	16.38	221	1046



FLANGE (ANSI)

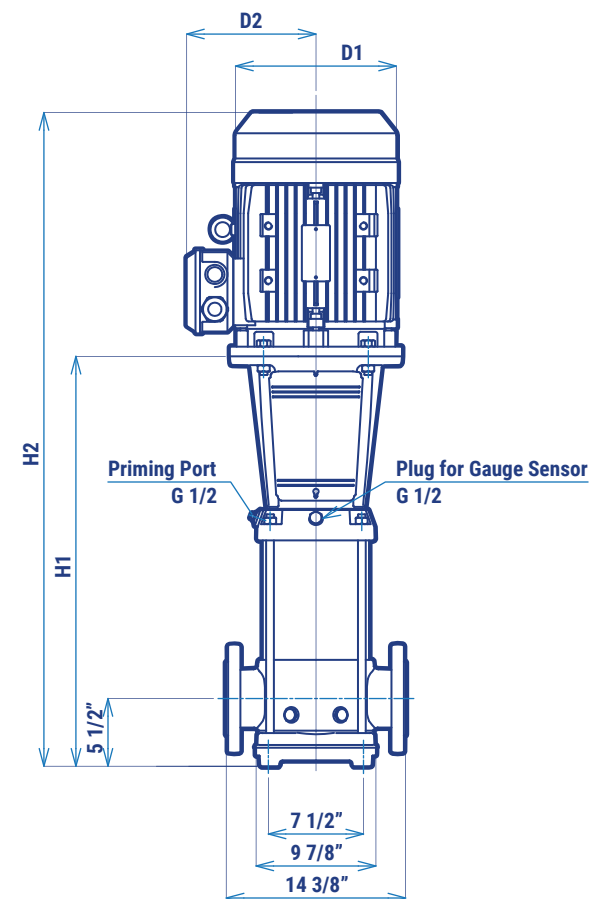




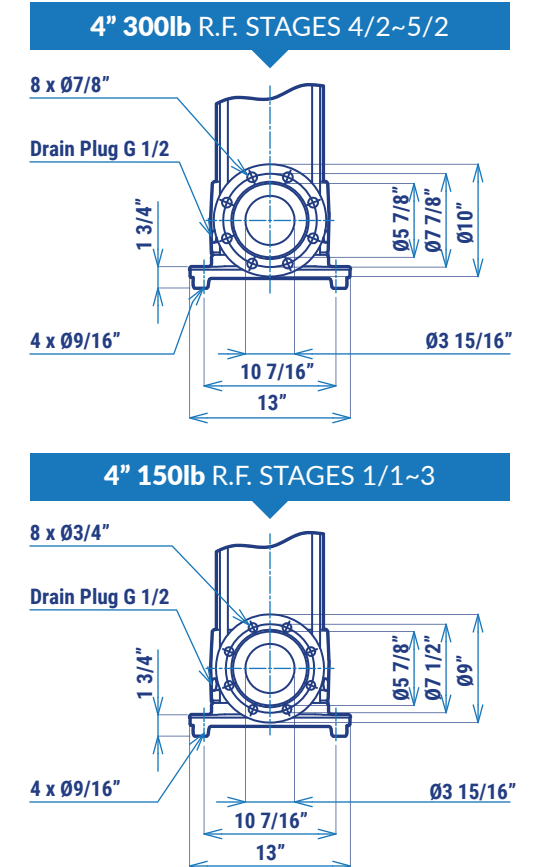
DIMENSIONS & WEIGHTS

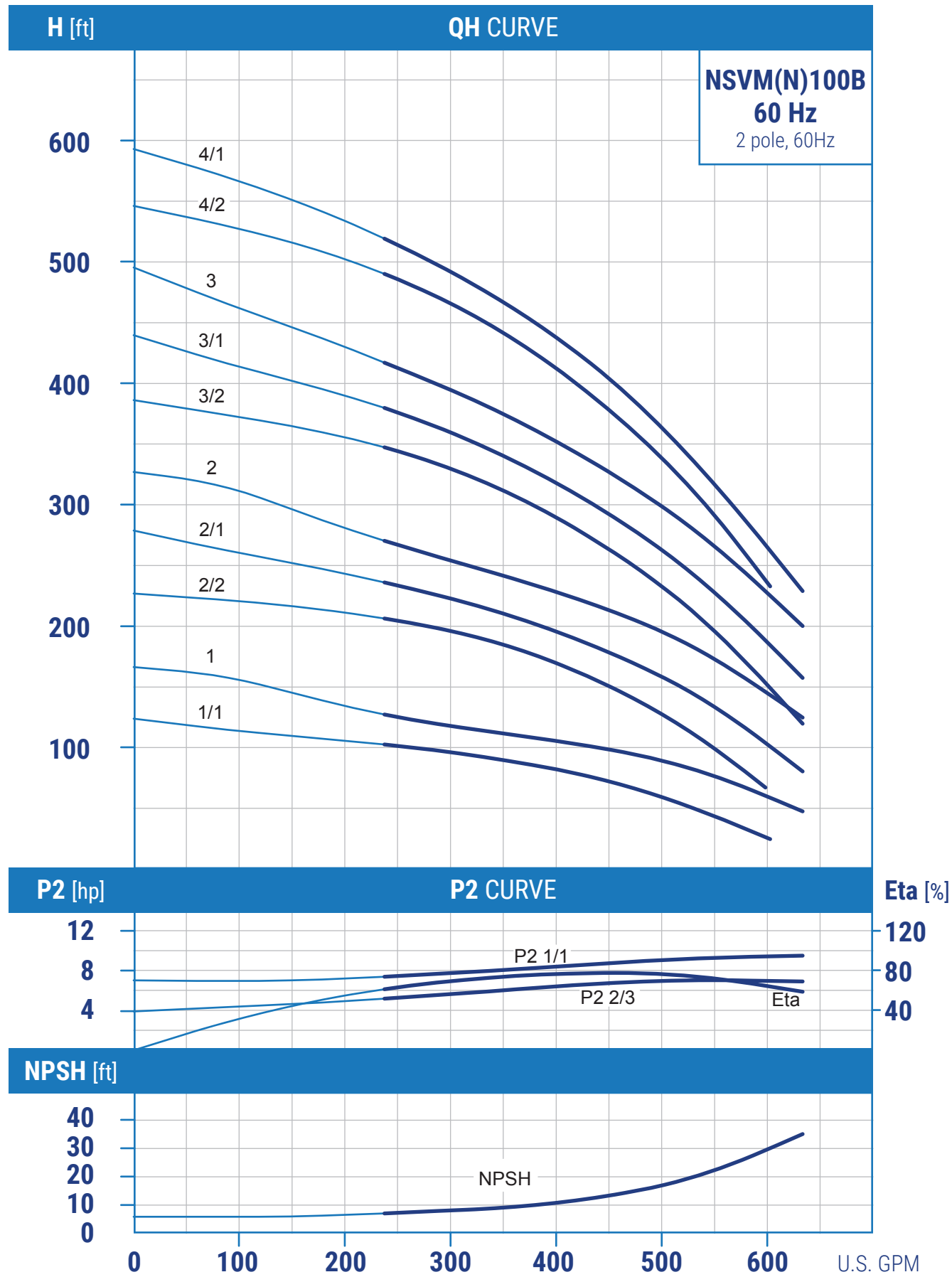
MODEL	HP	NEMA FRAME SIZE	H1 [in]	H2 [in]	D1 [in]	D2 [in]	PUMP END [lbs]	PUMP [lbs]
NSVM(N) 1001/1-67.5	7.5	213TC	22.36	37.01	10.67	8.58	115	254
NSVM(N) 1001-611	15	254TC	26.50	45.71	12.95	10.39	136	395
NSVM(N) 1002/2-615	15	254TC	29.74	48.96	12.95	10.39	145	404
NSVM(N) 1002/1-618	20	256TC	29.74	50.69	12.95	10.39	145	427
NSVM(N) 1002-622	25	284TSC	29.74	51.56	14.17	10.98	147	509
NSVM(N) 1003/2-622	30	286TSC	32.99	56.30	14.17	10.98	156	548
NSVM(N) 1003/1-630	40	324TSC	32.99	57.36	15.83	12.48	156	703
NSVM(N) 1003-630	40	324TSC	32.99	57.36	15.83	12.48	156	703
NSVM(N) 1004/2-637	40	324TSC	36.24	60.61	15.83	12.48	164	711
NSVM(N) 1004/1-637	50	326TSC	36.24	62.11	15.83	12.48	182	766
NSVM(N) 1004-645	50	326TSC	36.24	62.11	15.83	12.48	182	766
NSVM(N) 1005/2-645	60	364/5TSC	39.49	68.01	17.91	16.38	182	1007

ASSEMBLY DRAWINGS

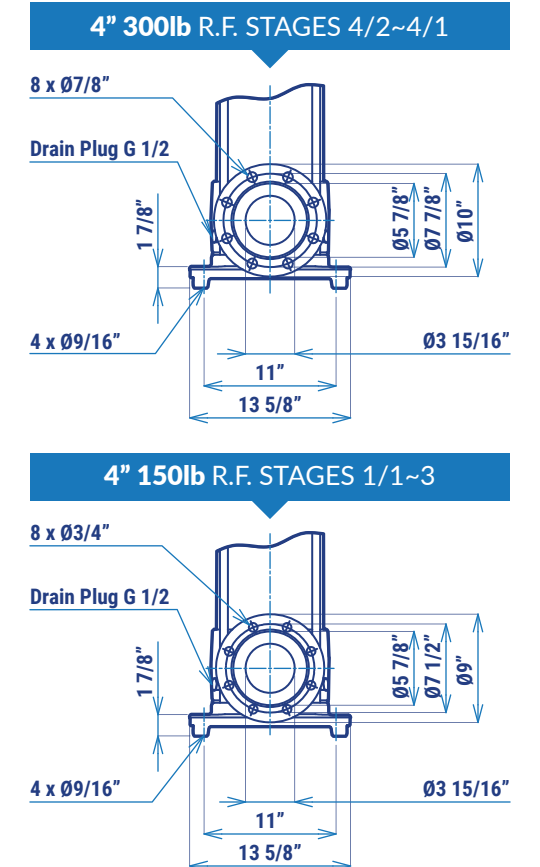
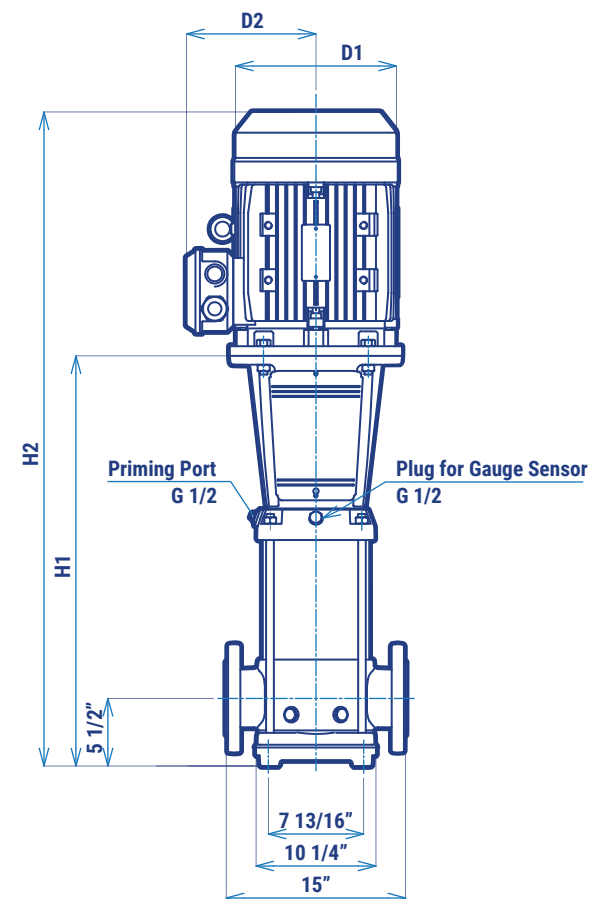


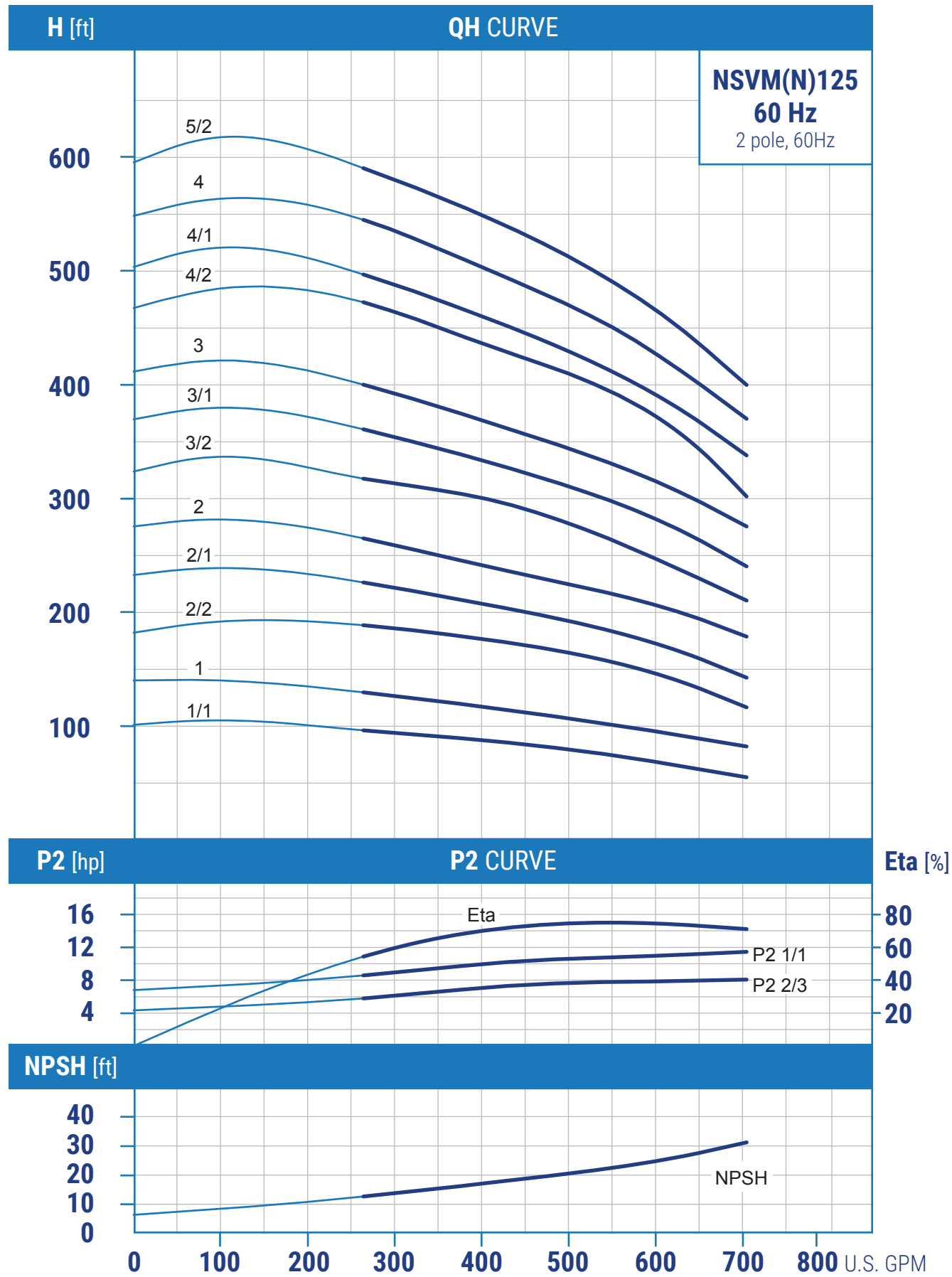
FLANGE (ANSI)





MODEL	HP	NEMA FRAME SIZE	H1 [in]	H2 [in]	D1 [in]	D2 [in]	PUMP END [lbs]	PUMP [lbs]
NSVM(N) 100B1/1-611	15	254TC	26.75	45.97	12.95	10.39	159	418
NSVM(N) 100B1-615	15	254TC	26.75	45.97	12.95	10.39	159	418
NSVM(N) 100B2/2-618	25	284TSC	30.34	52.15	14.17	10.98	173	535
NSVM(N) 100B2/1-622	30	286TSC	30.34	53.65	14.17	10.98	173	565
NSVM(N) 100B2-630	40	324TSC	30.34	54.71	15.83	12.48	173	720
NSVM(N) 100B3/2-637	40	324TSC	33.93	58.30	15.83	12.48	184	731
NSVM(N) 100B3/1-637	50	326TSC	33.93	59.80	15.83	12.48	201	785
NSVM(N) 100B3-645	50	326TSC	33.93	59.80	15.83	12.48	201	785
NSVM(N) 100B4/2-645	60	364/5TSC	37.36	65.89	17.91	16.38	216	1041
NSVM(N) 100B4/1-645	60	364/5TSC	37.36	65.89	17.91	16.38	217	1042

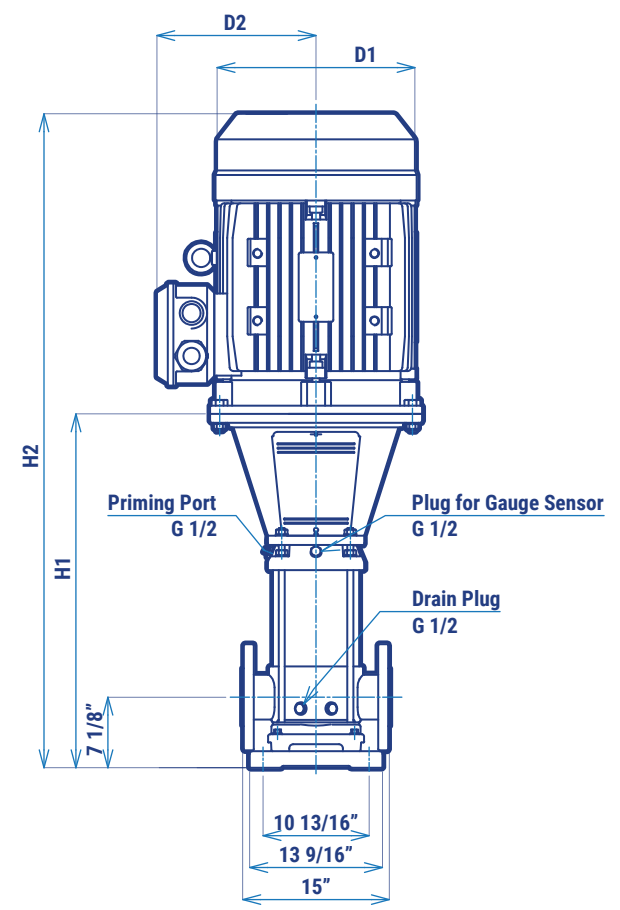




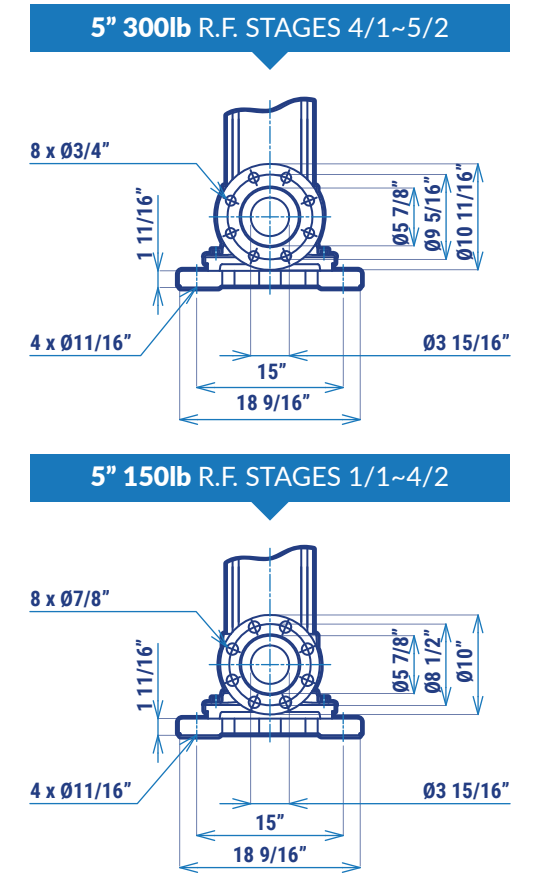
DIMENSIONS & WEIGHTS

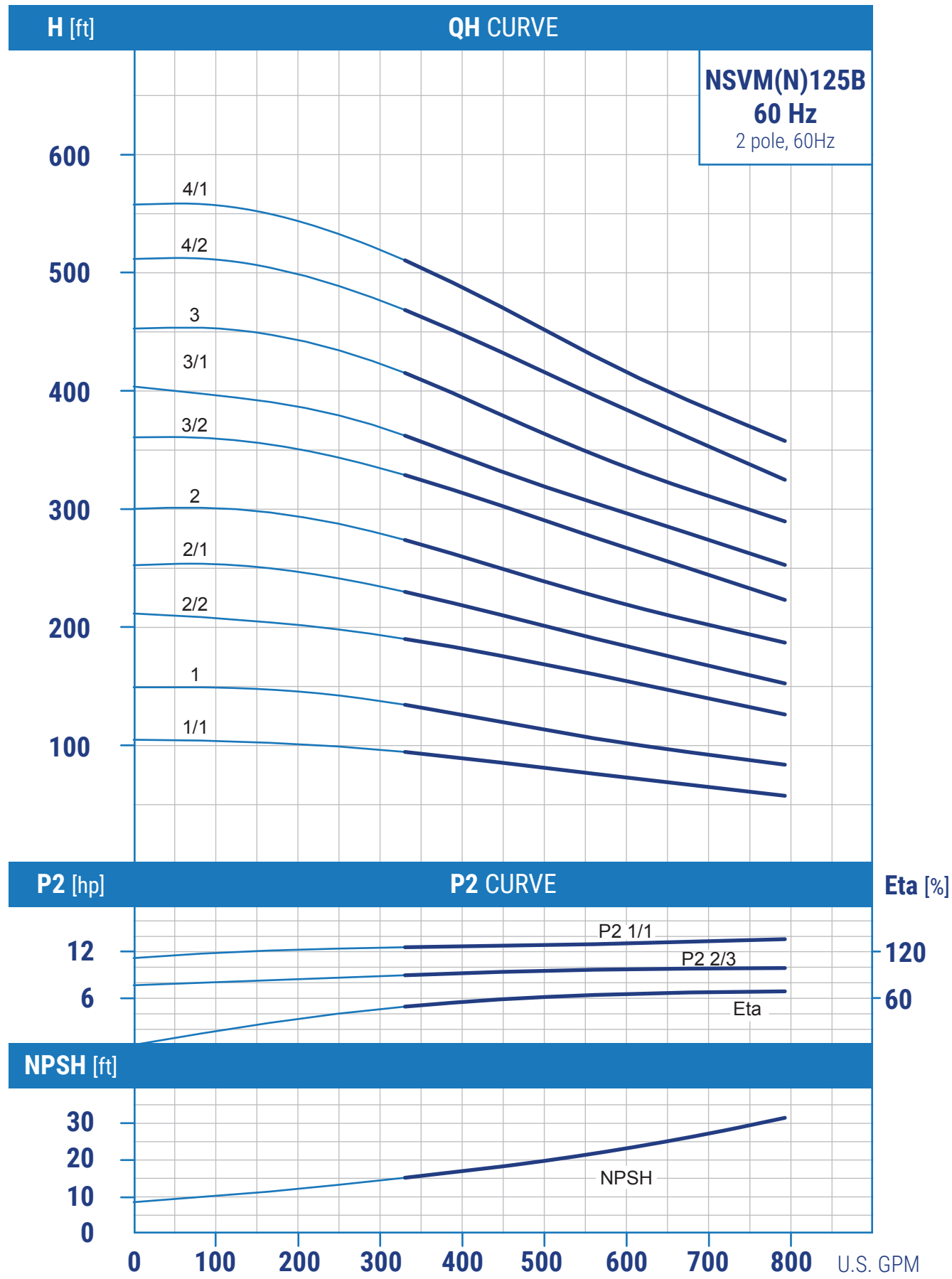
MODEL	HP	NEMA FRAME SIZE	H1 [in]	H2 [in]	D1 [in]	D2 [in]	PUMP END [lbs]	PUMP [lbs]
NSVM(N) 1251/1-615	20	256TC	32.95	53.90	12.95	10.39	204	486
NSVM(N) 1251-618	25	284TSC	32.95	54.76	14.17	10.98	207	569
NSVM(N) 1252/2-630	40	324TSC	39.07	63.44	15.83	12.48	237	784
NSVM(N) 1252/1-630	40	324TSC	39.07	63.44	15.83	12.48	237	784
NSVM(N) 1252-637	50	326TSC	39.07	64.94	15.83	12.48	255	839
NSVM(N) 1253/2-645	60	364/5TSC	45.20	73.72	17.91	16.38	276	1101
NSVM(N) 1253/1-645	60	364/5TSC	45.20	73.72	17.91	16.38	276	1101
NSVM(N) 1253-655	75	364/5TSC	45.67	74.20	17.91	16.38	331	1178
NSVM(N) 1254/2-655	75	364/5TSC	51.79	80.32	17.91	16.38	353	1200
NSVM(N) 1254/1-675	100	404/5TSC	51.79	84.27	19.13	16.38	353	1398
NSVM(N) 1254-675	100	404/5TSC	51.79	84.27	19.13	16.38	353	1398
NSVM(N) 1255/2-675	100	404/5TSC	57.91	90.40	19.13	16.38	374	1419

ASSEMBLY DRAWINGS

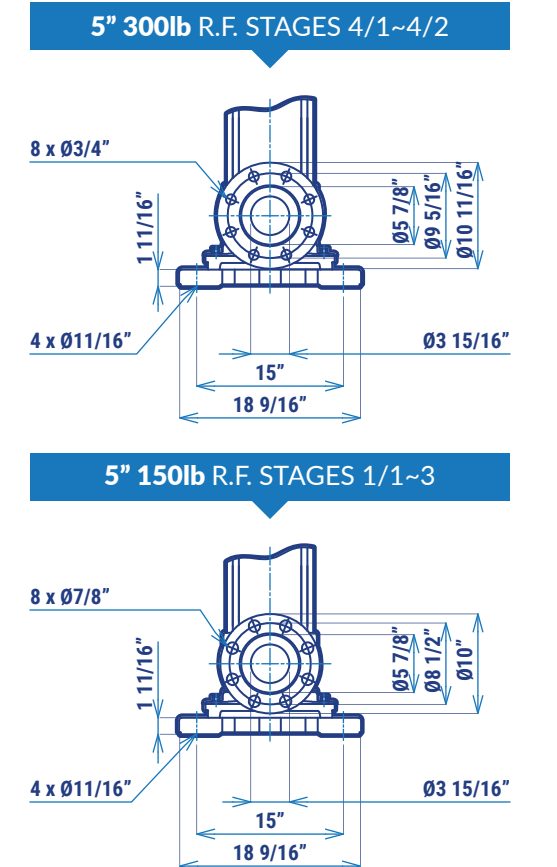
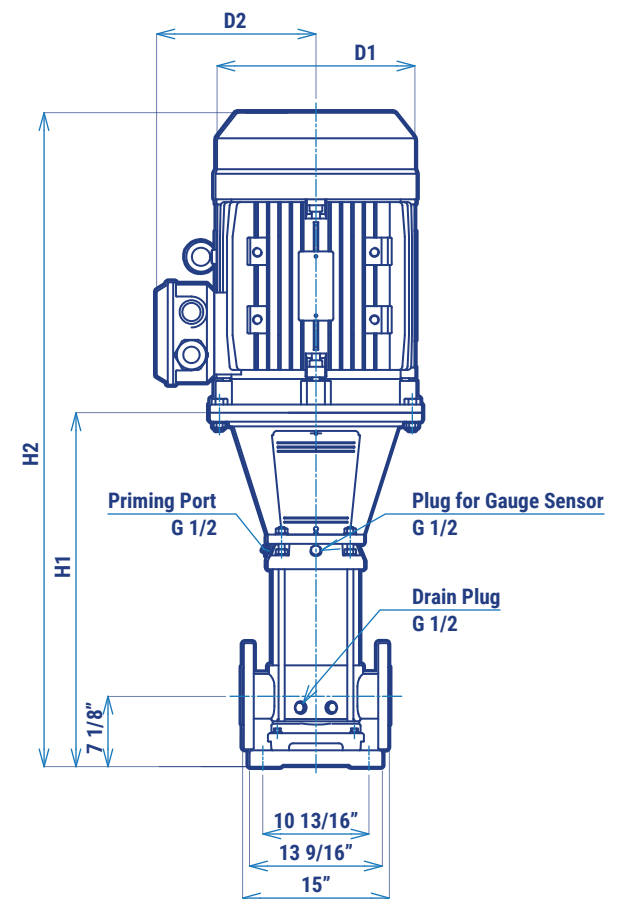


FLANGE (ANSI)

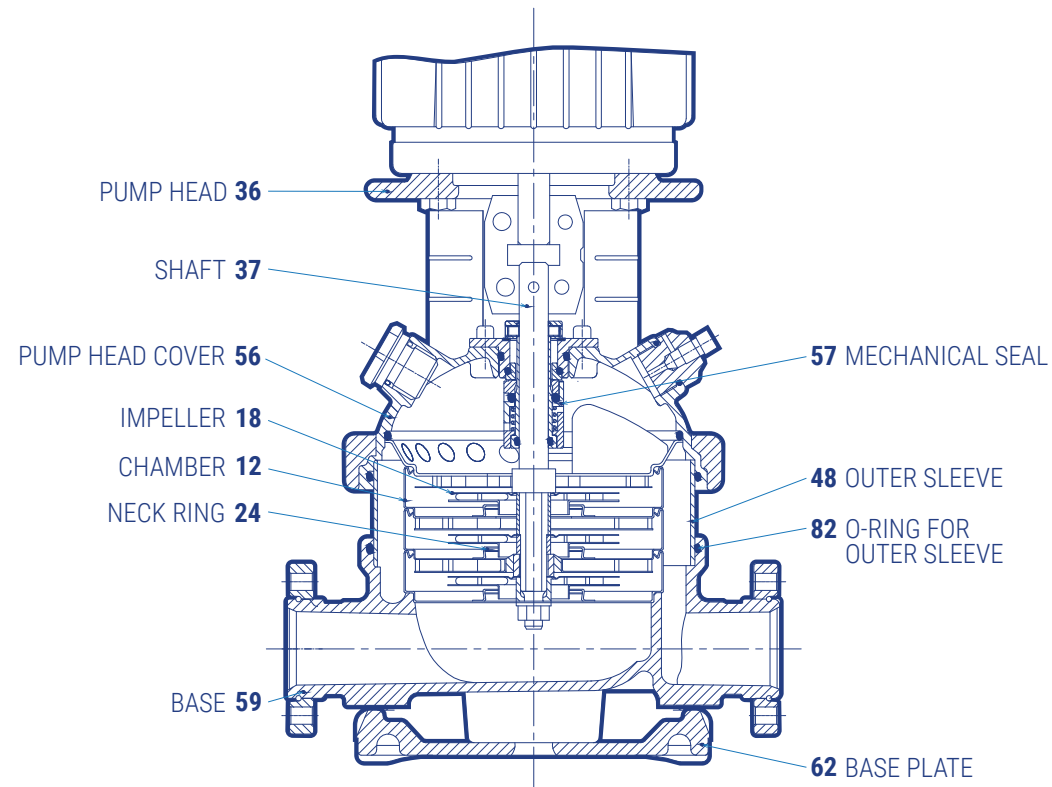




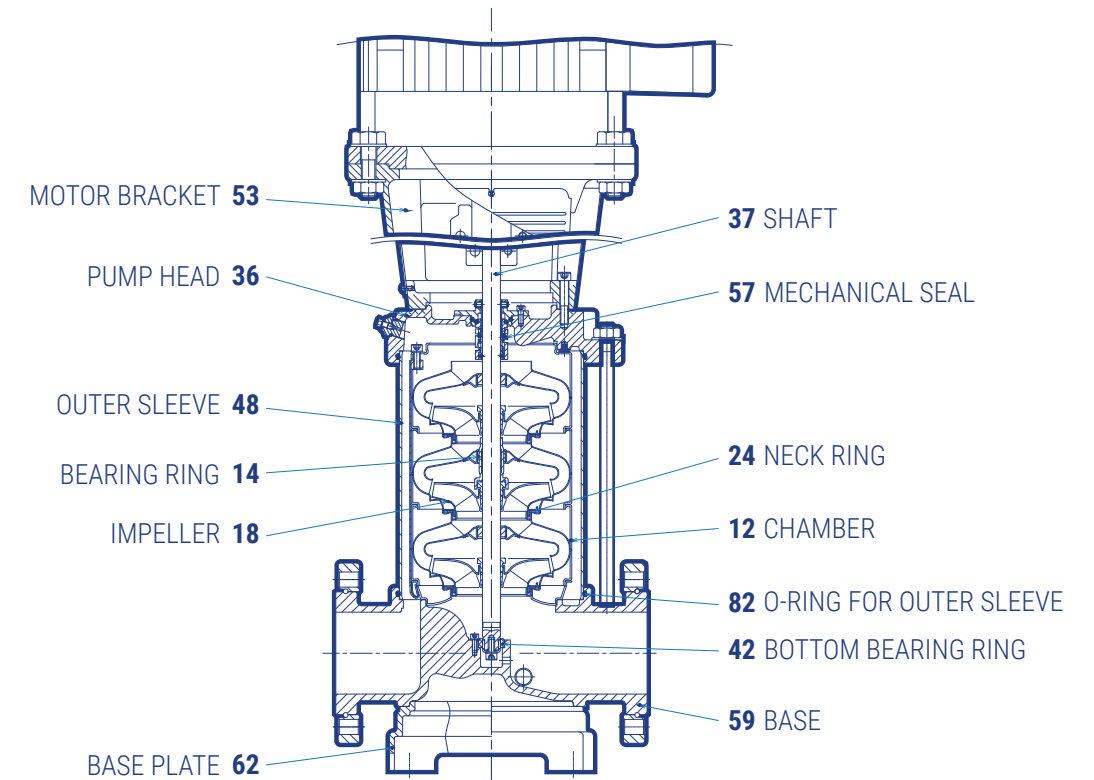
MODEL	HP	NEMA FRAME SIZE	H1 [in]	H2 [in]	D1 [in]	D2 [in]	PUMP END [lbs]	PUMP [lbs]
NSVM(N) 125B1/1-618	25	284TSC	32.95	54.76	14.17	10.98	214	576
NSVM(N) 125B1-622	30	286TSC	32.95	56.26	14.17	10.98	215	607
NSVM(N) 125B2/2-630	40	324TSC	39.07	63.44	15.83	12.48	236	783
NSVM(N) 125B2/1-637	50	326TSC	39.07	64.94	15.83	12.48	253	837
NSVM(N) 125B2-645	60	364/5TSC	39.07	67.60	17.91	16.38	253	1078
NSVM(N) 125B3/2-655	75	364/5TSC	45.67	74.20	17.91	16.38	330	1177
NSVM(N) 125B3/1-655	75	364/5TSC	45.67	74.20	17.91	16.38	330	1177
NSVM(N) 125B3-675	100	404/5TSC	45.67	78.15	19.13	16.38	330	1375
NSVM(N) 125B4/2-675	100	404/5TSC	51.77	84.25	19.13	16.38	349	1394
NSVM(N) 125B4/1-675	100	404/5TSC	51.79	84.27	19.13	16.38	349	1394



SECTIONAL VIEW



SECTIONAL VIEW



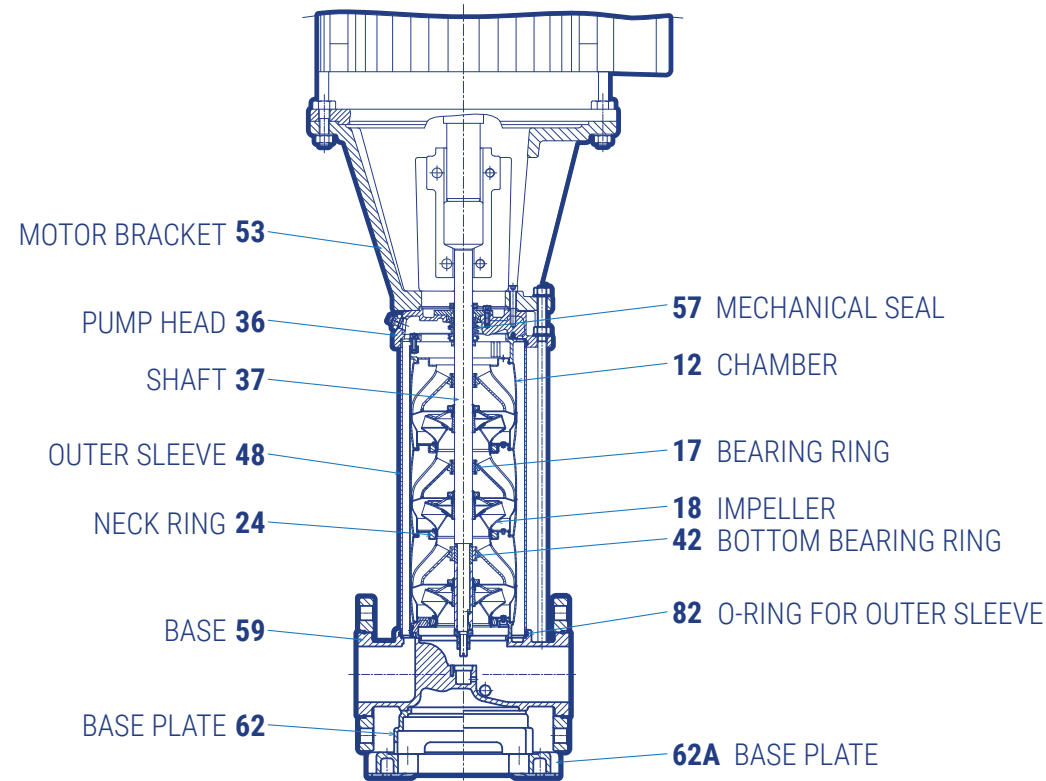
MATERIALS

POS	NAME	MATERIAL	STANDARD	
			NSVM 25L, 25, 32, 40, 50, 50B	NSVMN 25L, 25, 32, 40, 50, 50B
36	PUMP HEAD	CAST IRON	ASTM 65-45-12	ASTM 65-45-12
56	PUMP HEAD COVER	STAINLESS STEEL	AISI 304	AISI 316
18	IMPELLER	STAINLESS STEEL	AISI 304	AISI 316
37	SHAFT	STAINLESS STEEL	AISI 431	AISI 316
48	OUTER SLEEVE	STAINLESS STEEL	AISI 304	AISI 316
82	O-RING FOR OUTER SLEEVE		EPDM	EPDM
12	CHAMBER	STAINLESS STEEL	AISI 304	AISI 316
24	NECK RING		PTFE	PTFE
59	BASE	STAINLESS STEEL	AISI 304	AISI 316
62	BASE PLATE	CAST IRON	ASTM A48 No. 30	ASTM A48 No. 30
57	MECHANICAL SEAL		SiC/SiC + VITON	SiC/SiC + VITON

MATERIALS

POS	NAME	MATERIAL	STANDARD	
			NSVM 65, 80, 100, 100B	NSVMN 65, 80, 100, 100B
36	PUMP HEAD	STAINLESS STEEL	AISI 304	AISI 316
53	MOTOR BRACKET	CAST IRON	ASTM 35B	ASTM 35B
18	IMPELLER	STAINLESS STEEL	AISI 304	AISI 316
37	SHAFT	STAINLESS STEEL	AISI 431	AISI 316
48	OUTER SLEEVE	STAINLESS STEEL	AISI 304	AISI 316
82	O-RING FOR OUTER SLEEVE		EPDM	EPDM
12	CHAMBER	STAINLESS STEEL	AISI 304	AISI 316
24	NECK RING		CARBON FIBER + POB + PTFE	CARBON FIBER + POB + PTFE
59	BASE	STAINLESS STEEL	AISI 304	AISI 316
62	BASE PLATE	CAST IRON	ASTM A48 / No. 35	ASTM A48 / No. 35
57	MECHANICAL SEAL		SiC/SiC + VITON	SiC/SiC + VITON
14	BEARING RING		BRONZE	POB + GRAPHITE + PTFE
42	BOTTOM BEARING RING		TUNGSTEN CARBIDE / TUNGSTEN CARBIDE	TUNGSTEN CARBIDE / TUNGSTEN CARBIDE

SECTIONAL VIEW



MATERIALS

POS	NAME	MATERIAL	STANDARD	
			NSVM 125, 125B	NSVMN 125, 125B
36	PUMP HEAD	STAINLESS STEEL	AISI 304	AISI 316
53	MOTOR BRACKET (11-45 kW)	CAST IRON	ASTM 35B	ASTM 35B
53	MOTOR BRACKET (55-75 kW)	CAST IRON	ASTM 65-45-12	ASTM 65-45-12
17	BEARING RING		PTFE	PTFE
18	IMPELLER	STAINLESS STEEL	AISI 304	AISI 316
37	SHAFT	STAINLESS STEEL	AISI 431	AISI 316
48	OUTER SLEEVE	STAINLESS STEEL	AISI 304	AISI 316
82	O-RING FOR OUTER SLEEVE		EPDM	EPDM
12	CHAMBER	STAINLESS STEEL	AISI 304	AISI 316
24	NECK RING		PTFE	PTFE
59	BASE	STAINLESS STEEL	AISI 304	AISI 316
62	BASE PLATE	CAST IRON	ASTM 65-45-12	ASTM 65-45-12
62A	BASE PLATE	CAST IRON	ASTM 65-45-12	ASTM 65-45-12
57	MECHANICAL SEAL		Cartridge type SiC/SiC+Viton (Seal code: SQQV)	
42	BOTTOM BEARING RING		SiC / SiC	SiC / SiC

MOTOR

MOTOR TYPE					FULL LOAD CURRENT	
HP	kW	POLE	NEMA FRAME SIZE	S.F.	3-230V	3-460V
0.33	0.25	2	56C	1.15	1.20	0.60
0.5	0.37	2	56C	1.15	1.65	0.83
0.75	0.55	2	56C	1.15	2.19	1.10
1.0	0.75	2	56C	1.15	2.80	1.40
1.5	1.1	2	56C	1.15	3.91	1.96
2	1.5	2	56C	1.15	5.15	2.58
3	2.2	2	182TC	1.15	7.24	3.62
5	3.7	2	184TC	1.15	11.8	5.90
7.5	5.5	2	213TC	1.15	17.6	8.78
10	7.5	2	215TC	1.15	23.2	11.6
15	11	2	254TC	1.15	34.0	17.0
20	15	2	256TC	1.15	46.4	23.2
25	18.5	2	284TSC	1.15	57.0	28.5
30	22	2	286TSC	1.15	67.6	33.8
40	30	2	324TSC	1.15	91.6	45.8
50	37	2	326TSC	1.15	11	56.1
60	45	2	364/5TSC	1.15	134	67.0
75	55	2	364/5TSC	1.15	164	81.9
100	75	2	404/5TSC	1.15	220	110

- The stated ampere current and service factor are provided as reference values.
- Teral specified motors are rated for maximum thrust requirements.

It is not recommended to use an off the shelf standard motor on a Teral pump.

TERAL

Teral Pumps & Fans North America Ltd

Suite #197, 800-15355 24th Ave, Surrey, BC, CANADA V4A 2H9

TEL 604-839-1008 **EMAIL** SALESAMERICA@TERALASIA.COM

Teral Asia Limited

Room 1001, 10/F, Olympia Plaza, 255 King's Road, North Point, Hong Kong

TEL +852-2571-0282 **FAX** +852-2571-0619 **EMAIL** SALES@TERALASIA.COM

Teral Inc.

Head Office

230, Moriwaki, Miyuki-cho, Fukuyama-city, Hiroshima, 720-0003, Japan

TEL +81-84-955-1111 **FAX** +81-84-955-5777

Tokyo Office

TERAL Koraku Bldg., 2-3 27, Koraku Bunkyo-ku, Tokyo, 112-0004, Japan

TEL +81-3-3818-6890 **FAX** +81-3-3818-6790

WWW.TERAL.NET