

MR SERIES

4" DEEP WELL PUMP
MODEL: MR4-32D
13 GPM



SPECIFICATIONS

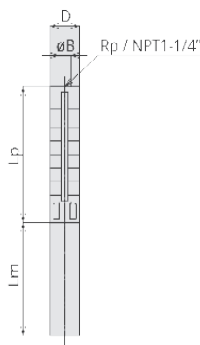
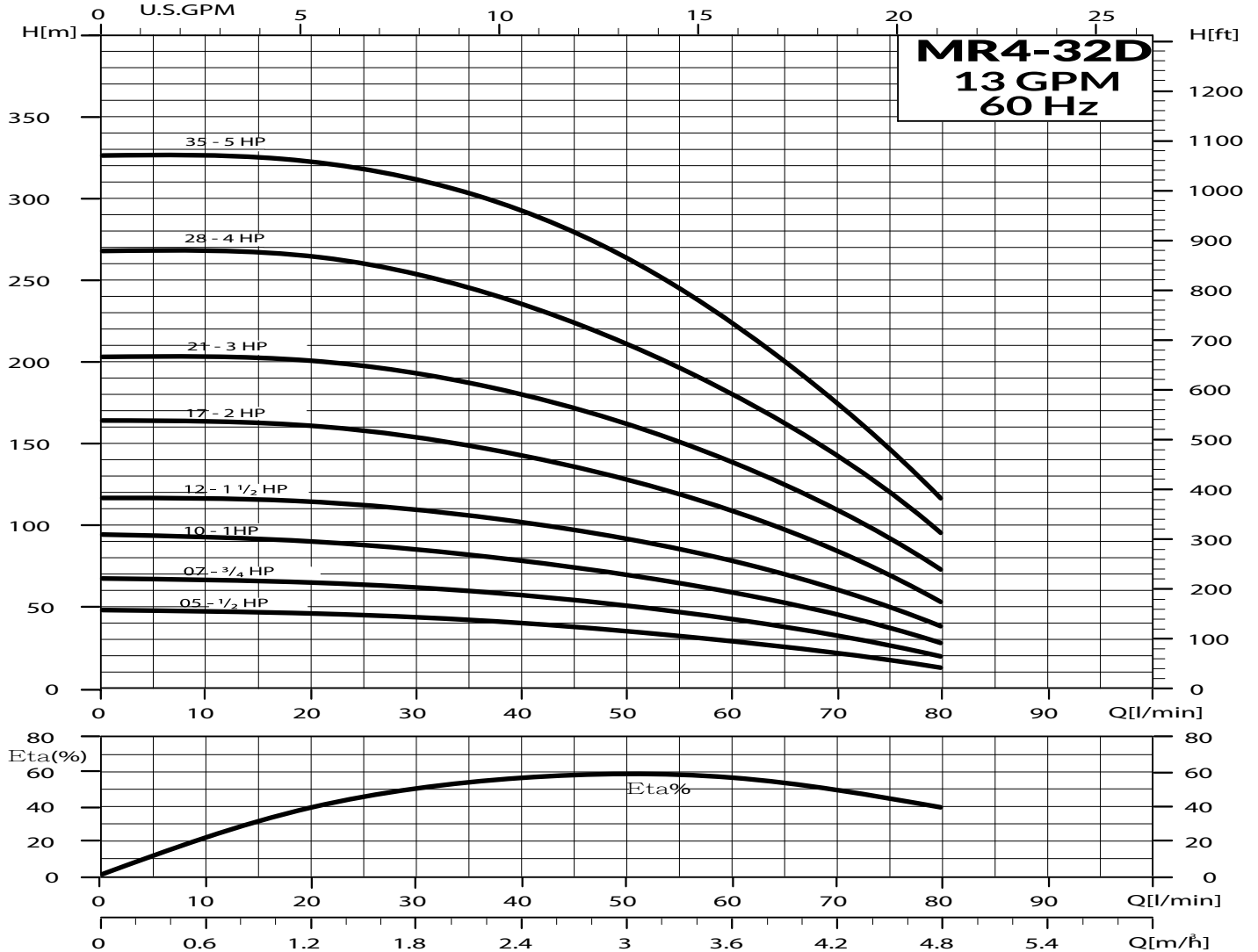
APPLICATION	<ul style="list-style-type: none"> • Water Supply • Pressure Boosting • Irrigation
LIQUID	Clean, Non Corrosive and Non Abrasive. (max 30°C) Max Sand Mix: 50g/m ³
MOTOR	<ul style="list-style-type: none"> • 115V, 60hz, 1Ø, 3600 rpm • 230V, 60hz, 1Ø, 3600 rpm
IMPELLER MATERIAL	NORYL
SHAFT MATERIAL	SS 304
DISCHARGE CASING MATERIAL	SS 304

FEATURES

- High Durability & Long Life
- Optimum Hydraulic Properties
- High Head Pump Performance

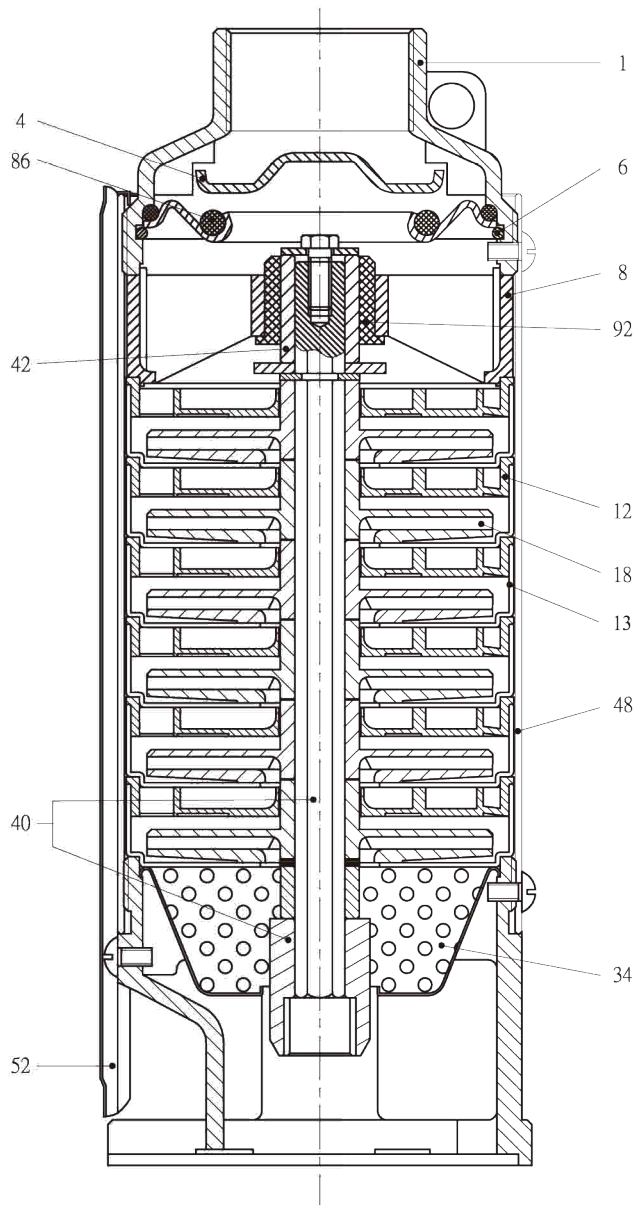


PERFORMANCE CURVE



Model	4" Motor		Dimension (inch)			Net Weight (Lbs)	
	P2 (Hp)	Lm (inch)	Lp	ΦB	D	Pump End	Pump w / motor
MR4-32D5-6.37	1/2	13 5/8	9 2/7	NPT 1-1/4"	4	6	22
MR4-32D7-6.55	3/4	14 3/8	10 2/3		4	7	25
MR4-32D10-6.75	1	15	12 3/4		4	7	27
MR4-32D12-61.1	1 1/2	16	14 1/7		4	8	30
MR4-32D17-61.5	2	17 1/3	17 3/5		4	10	35
MR4-32D21-62.2	3	19 1/2	20 3/7		4	11	42
MR4-32D28-63.0	4	23 8/9	26 3/4		4	14	56
MR4-32D35-63.7	5	26 8/9	33 1/9		4	19	69

SECTIONAL DRAWING



No.	Parts
1	Discharge
4	Check Valve Cone
6	Check Valve Retaining Ring
8	Bearing Spider
12	Diffuser
13	Bowl
18	Impeller
34	Strainer
40	Pump Shaft
42	Shaft Sleeve
48	Pump Casing
52	Cable Guard
86	O-Ring
92	Bearing