

# MR SERIES

**4" DEEP WELL PUMP**  
**MODEL: MR4-32C**  
**10GPM**



## SPECIFICATIONS

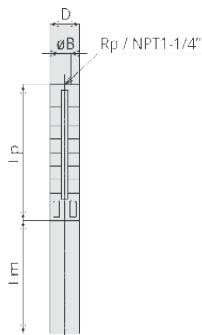
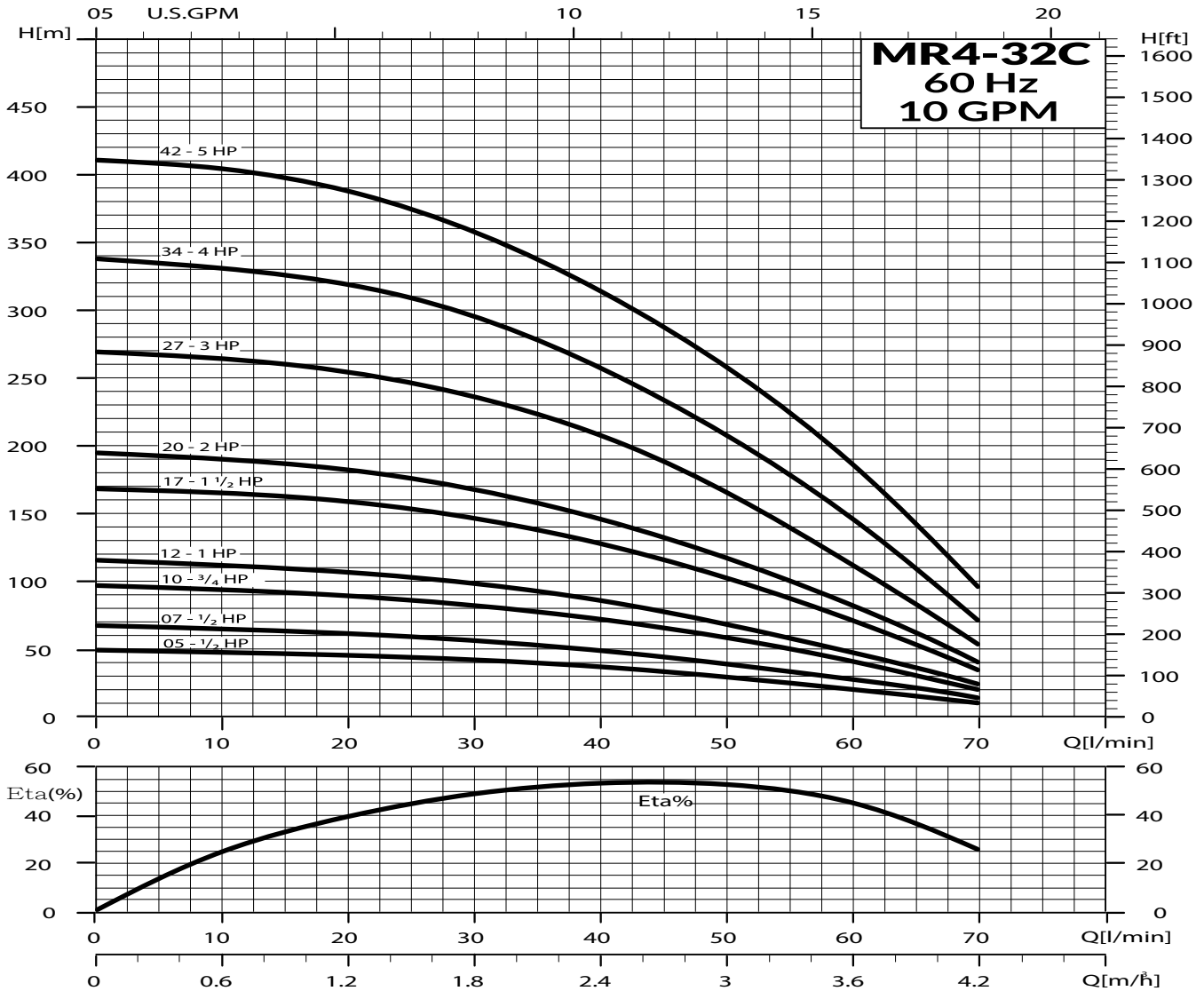
<b>APPLICATION</b>	<ul style="list-style-type: none"> <li>• Water Supply</li> <li>• Pressure Boosting</li> <li>• Irrigation</li> </ul>
<b>LIQUID</b>	Clean, Non Corrosive and Non Abrasive. (max 30°C) Max Sand Mix: 50g/m <sup>3</sup>
<b>MOTOR</b>	<ul style="list-style-type: none"> <li>• 115V, 60hz, 1Ø, 3600 rpm</li> <li>• 230V, 60hz, 1Ø, 3600 rpm</li> </ul>
<b>IMPELLER MATERIAL</b>	NORYL
<b>SHAFT MATERIAL</b>	SS 304
<b>DISCHARGE CASING MATERIAL</b>	SS 304

## FEATURES

- High Durability & Long Life
- Optimum Hydraulic Properties
- High Head Pump Performance

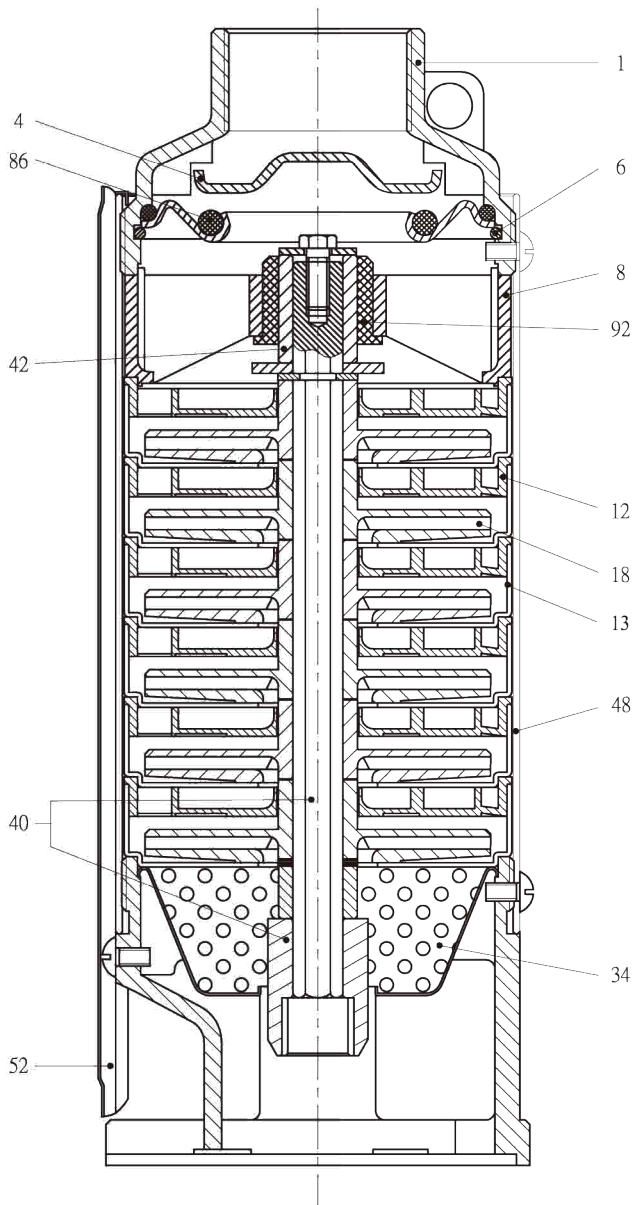


# PERFORMANCE CURVE



Model	4" Motor		Dimension (inch)			Net Weight (Lbs)	
	P2 (Hp)	Lm (inch)	Lp	ΦB	D	Pump End	Pump w / motor
MR4-32C5-6.37	1/2	13 5/8	9 2/7	NPT 1-1/4"	4	6	22
MR4-32C7-6.37	1/2	13 5/8	10 2/3		4	7	23
MR4-32C10-6.55	3/4	14 3/8	12 3/4		4	8	26
MR4-32C12-6.75	1	15	14 1/7		4	8	28
MR4-32C17-61.1	1 1/2	16	17 3/5		4	10	32
MR4-32C20-61.5	2	17 1/3	19 2/3		4	11	37
MR4-32C27-62.2	3	19 1/2	26		4	14	45
MR4-32C34-63.0	4	23 8/9	31 1/3		4	19	62
MR4-32C42-63.7	5	26 8/9	37 5/9		4	22	72

**SECTIONAL DRAWING**



No.	Parts
1	Discharge
4	Check Valve Cone
6	Check Valve Retaining Ring
8	Bearing Spider
12	Diffuser
13	Bowl
18	Impeller
34	Strainer
40	Pump Shaft
42	Shaft Sleeve
48	Pump Casing
52	Cable Guard
86	O-Ring
92	Bearing