

MR SERIES

4" DEEP WELL PUMP
MODEL: MR4-32B
7GPM

SPECIFICATIONS

APPLICATION	<ul style="list-style-type: none"> • Water Supply • Pressure Boosting • Irrigation
LIQUID	Clean, Non Corrosive and Non Abrasive. (max 30°C) Max Sand Mix: 50g/m ³
MOTOR	<ul style="list-style-type: none"> • 115V, 60hz, 1Ø, 3600 rpm • 230V, 60hz, 1Ø, 3600 rpm
IMPELLER MATERIAL	NORYL
SHAFT MATERIAL	SS 304
DISCHARGE CASING MATERIAL	SS 304



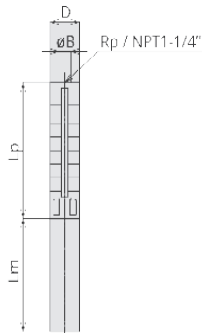
FEATURES

- High Durability & Long Life
- Optimum Hydraulic Properties
- High Head Pump Performance



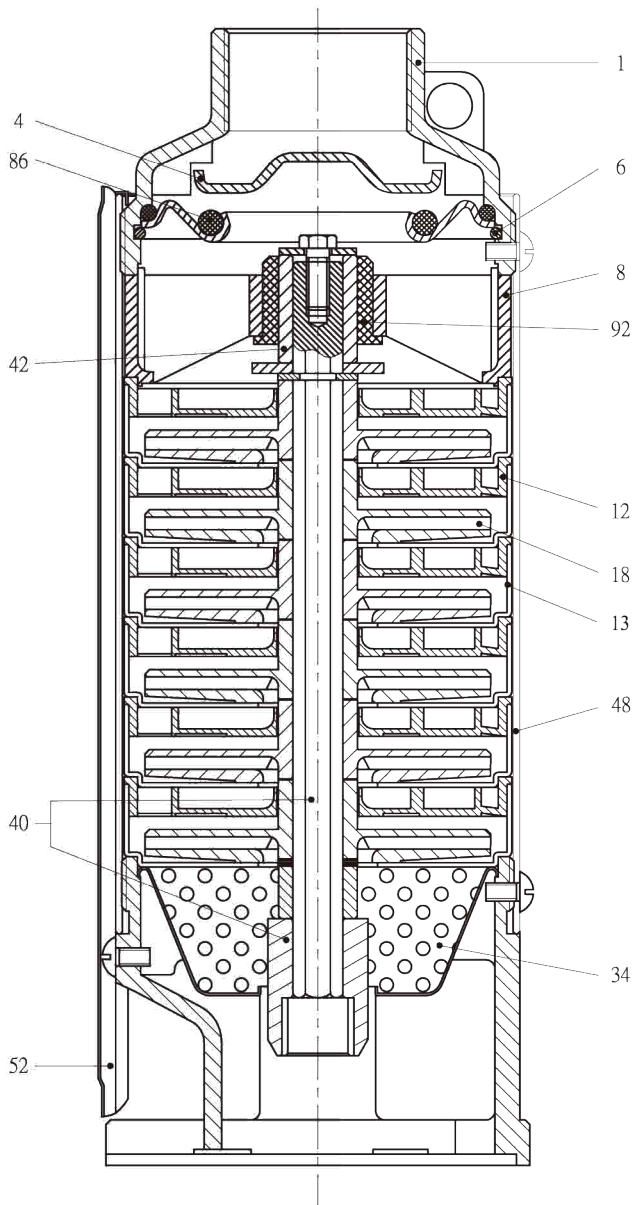
Certified to NSF/ANSI 372

PERFORMANCE CURVE



Model	4" Motor		Dimension (inch)			Net Weight (Lbs)	
	P2 (Hp)	Lm (inch)	Lp	ΦB	D	Pump End	Pump w / motor
MR4-32B7-6.37	1/2	13 5/8	10 5/6	NPT 1-1/4"	4	6	22
MR4-32B10-6.37	1/2	13 5/8	13		4	8	24
MR4-32B13-6.55	3/4	14 3/8	15 1/6		4	9	27
MR4-32B17-6.75	1	15	18		4	10	30
MR4-32B22-61.1	1 1/2	16	21 1/2		4	12	34
MR4-32B27-61.5	2	17 1/3	26 4/7		4	15	40
MR4-32B34-62.2	3	19 1/2	32 4/5		4	21	52

SECTIONAL DRAWING



No.	Parts
1	Discharge
4	Check Valve Cone
6	Check Valve Retaining Ring
8	Bearing Spider
12	Diffuser
13	Bowl
18	Impeller
34	Strainer
40	Pump Shaft
42	Shaft Sleeve
48	Pump Casing
52	Cable Guard
86	O-Ring
92	Bearing