

MR SERIES

4" DEEP WELL PUMP
MODEL: MR4-32A
5 GPM

SPECIFICATIONS

APPLICATION	<ul style="list-style-type: none">• Water Supply• Pressure Boosting• Irrigation
LIQUID	Clean, Non Corrosive and Non Abrasive. (max 30°C) Max Sand Mix: 50g/m ³
MOTOR	<ul style="list-style-type: none">• 115, 60hz, 1Ø, 3600 rpm• 230V, 60hz, 1Ø, 3600 rpm
IMPELLER MATERIAL	NORYL
SHAFT MATERIAL	SS 304
DISCHARGE CASING MATERIAL	SS 304



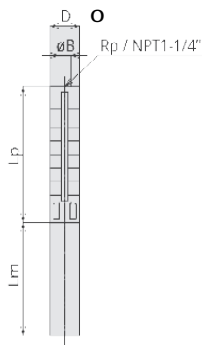
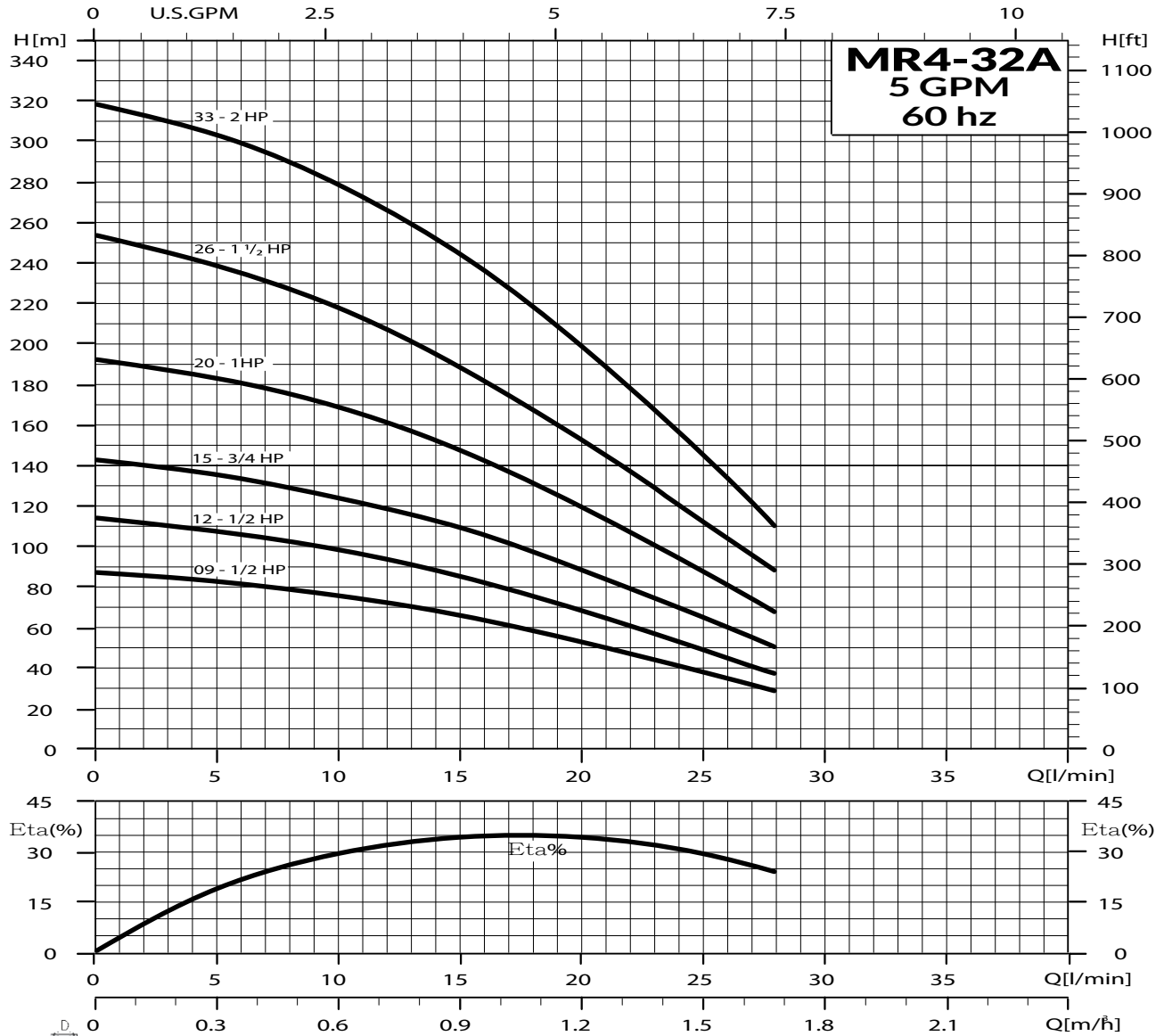
FEATURES

- High Durability & Long Life
- Optimum Hydraulic Properties
- High Head Pump Performance



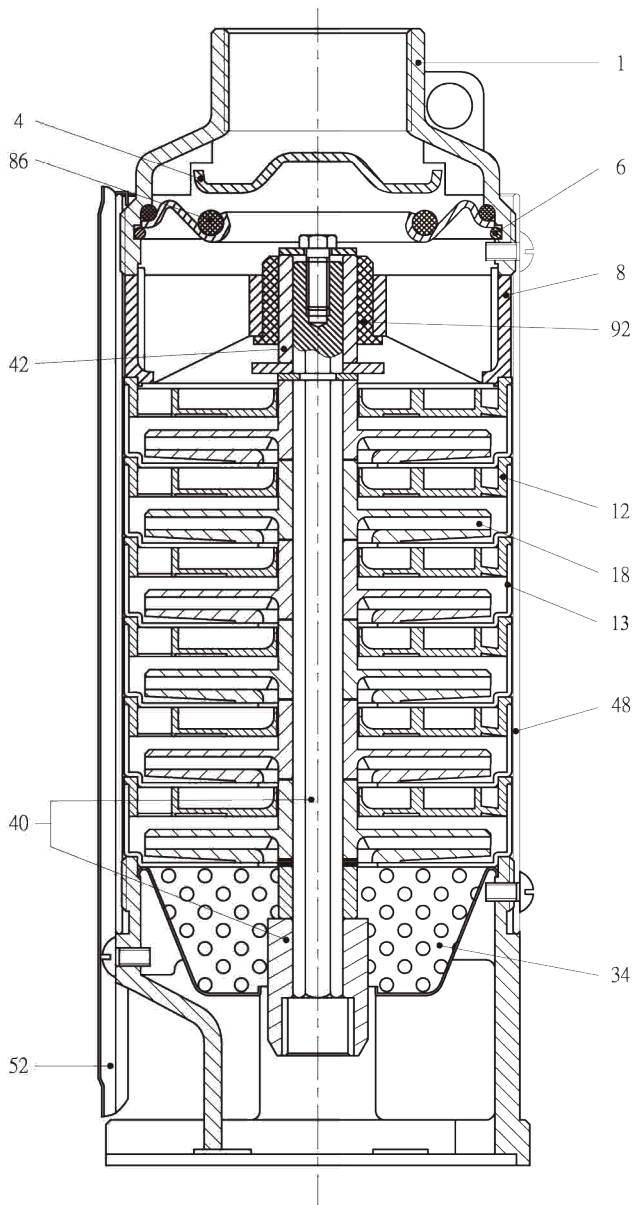
Certified to
NSF/ANSI 372

PERFORMANCE CURVE



Model	4" Motor		Dimension (inch)			Net Weight (Lbs)	
	P2 (Hp)	Lm (inch)	Lp	ΦB	D	Pump End	Pump w / motor
MR4-32A9-6.37	1/2	13 5/8	12	NPT 1-1/4"	4	7	23
MR4-32A12-6.37	1/2	13 5/8	14 1/7		4	8	24
MR4-32A15-6.55	3/4	14 3/8	16 1/6		4	9	28
MR4-32A20-6.75	1	15	19 2/3		4	11	31
MR4-32A26-61.1	1 1/2	16	25 2/7		4	13	35
MR4-32A33-61.5	2	17 1/3	31 2/7		4	19	44

SECTIONAL DRAWING



No.	Parts
1	Discharge
4	Check Valve Cone
6	Check Valve Retaining Ring
8	Bearing Spider
12	Diffuser
13	Bowl
18	Impeller
34	Strainer
40	Pump Shaft
42	Shaft Sleeve
48	Pump Casing
52	Cable Guard
86	O-Ring
92	Bearing